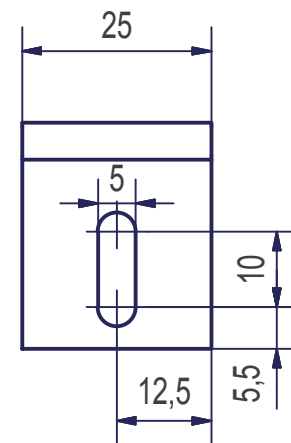
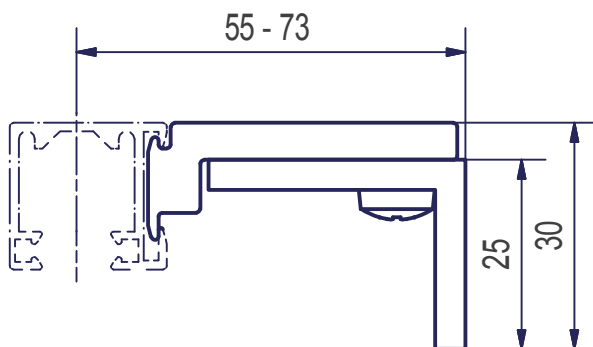


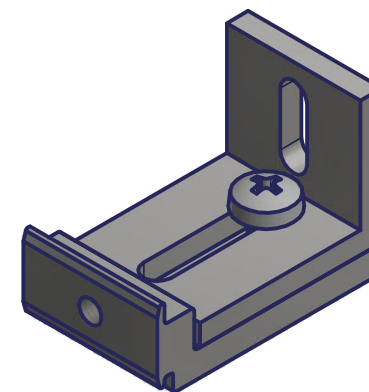
Standard holder - type A 55 - 73 mm



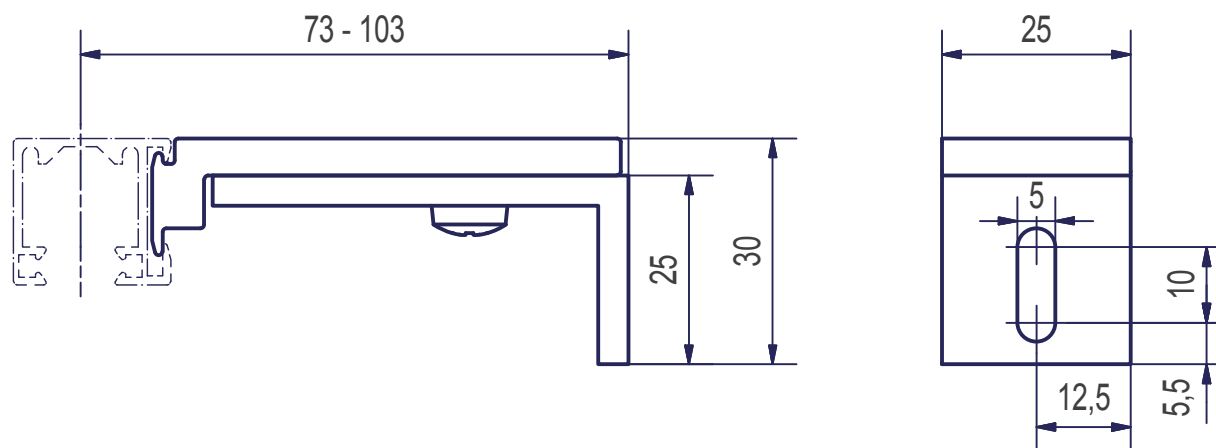
For types of guiding rail:

Typ S

Typ SDV



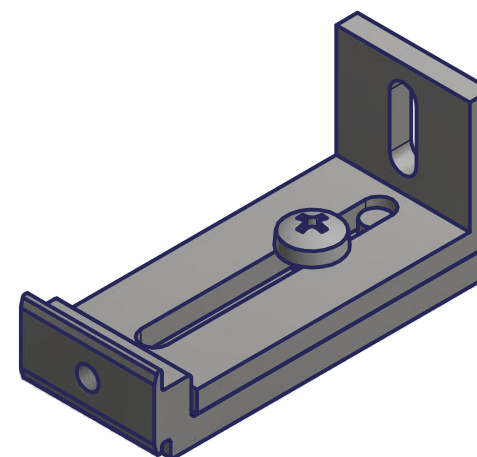
Standard holder - type B 73 - 103 mm



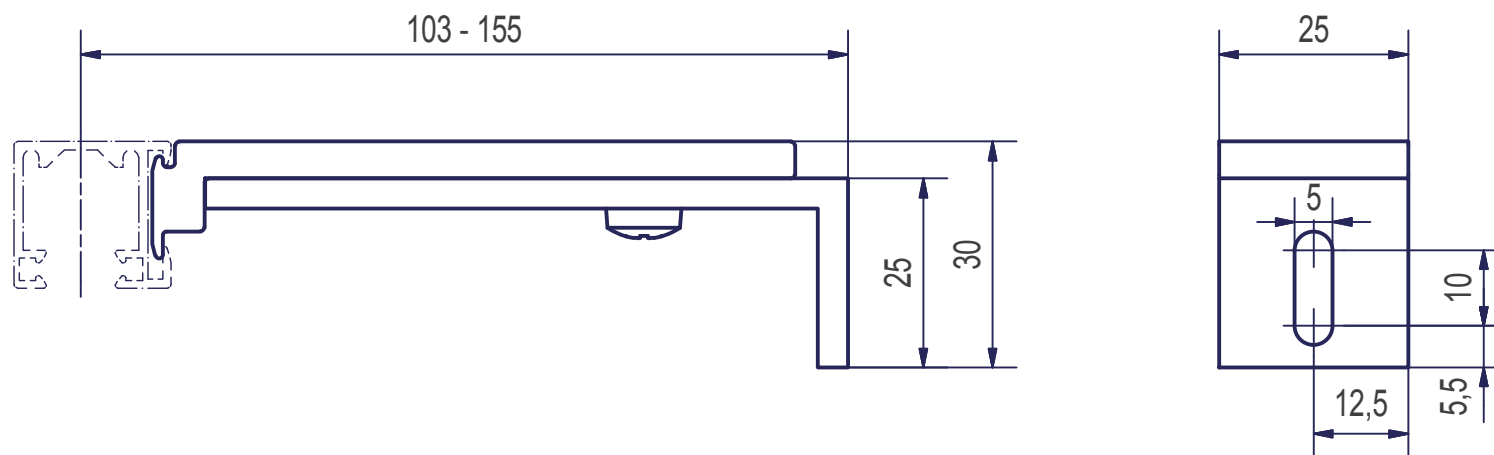
For types of guiding rail:

Typ S

Typ SDV



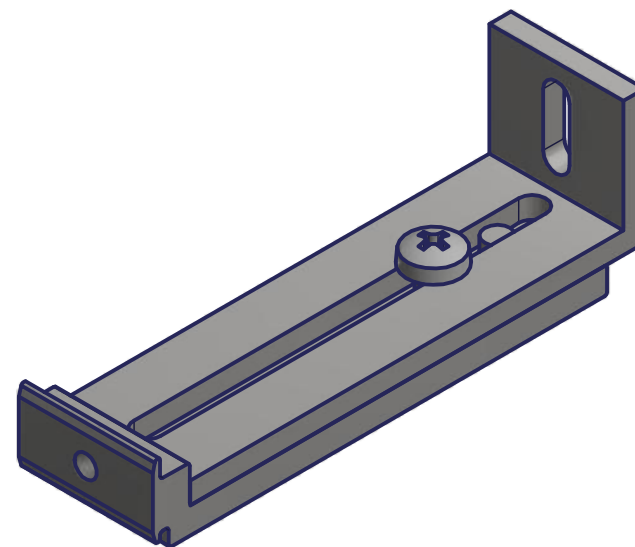
Standard holder - type C 103 - 155 mm



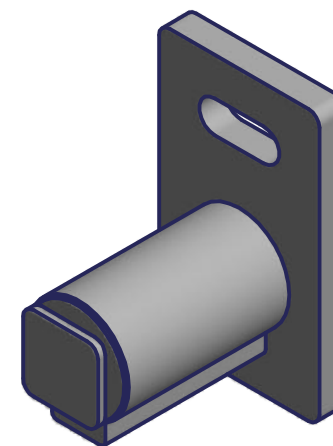
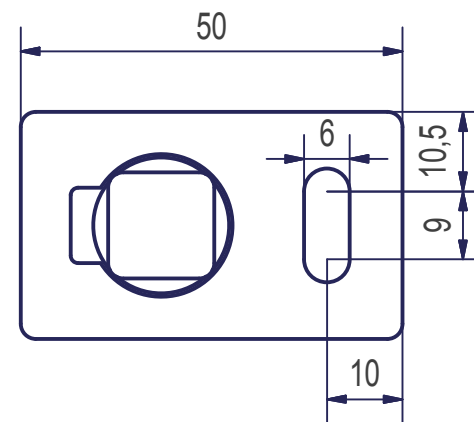
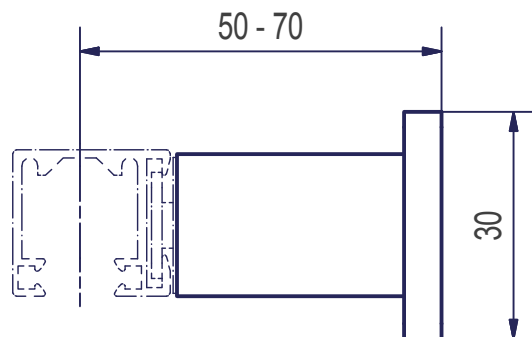
For types of guiding rail:

Typ S

Typ SDV



Telescopic holder - type TA 50 - 70 mm



For types of guiding rail:

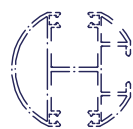
Type S

Type SVD 2

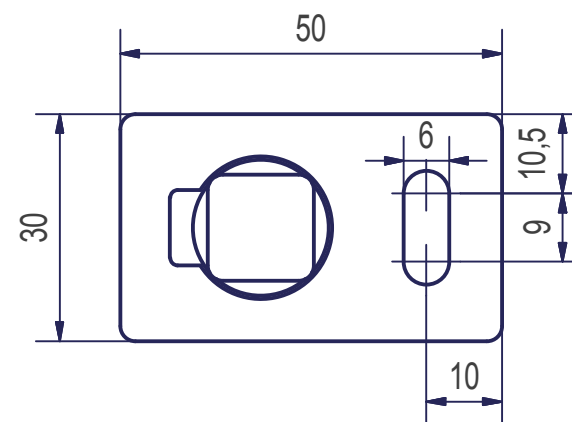
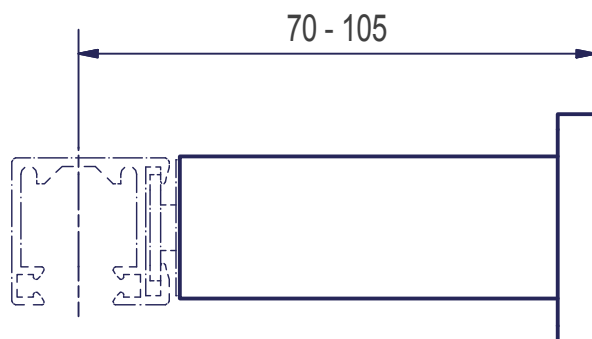
Type K

Type KDV

Type STL



Telescopic holder - type TB 70 - 105 mm



For types of guiding rail:

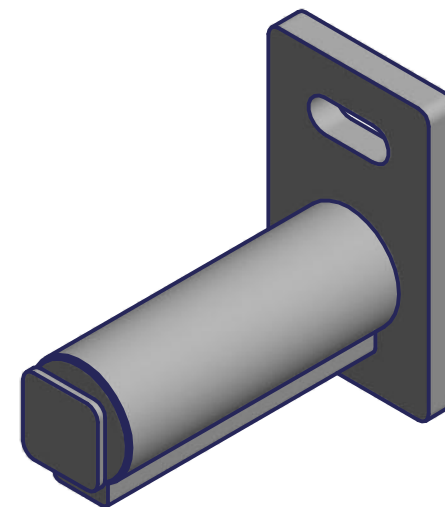
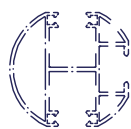
Type S

Type SVD 2

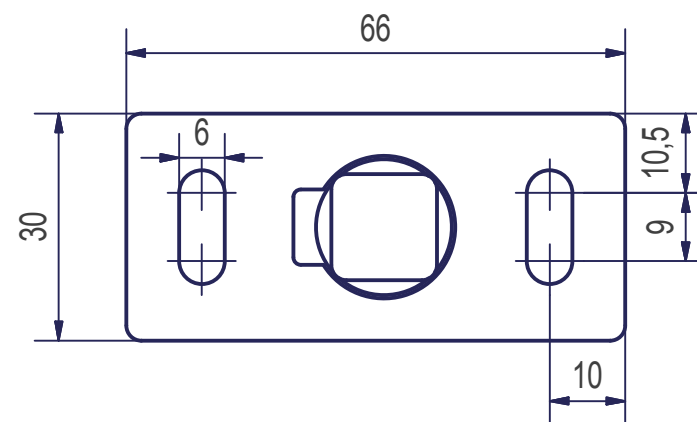
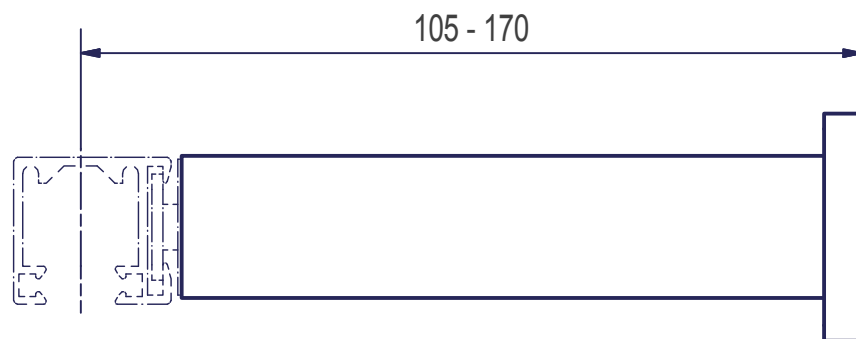
Type K

Type KDV

Type STL



Telescopic holder - type TC 105 - 170 mm



For types of guiding rail:

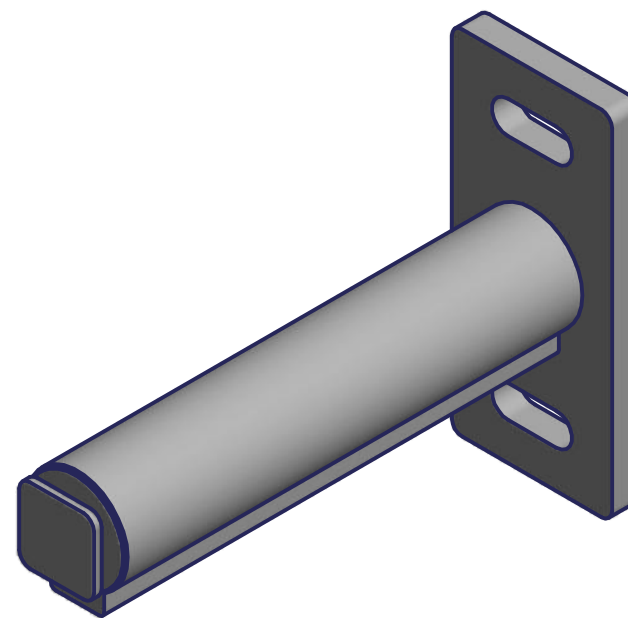
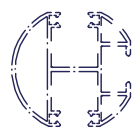
Type S

Type SVD 2

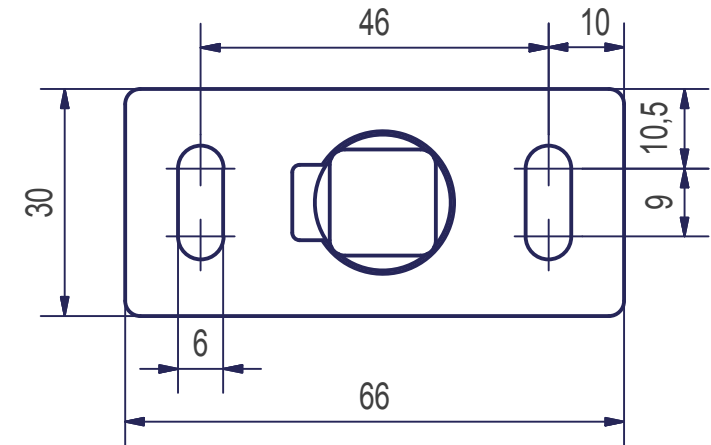
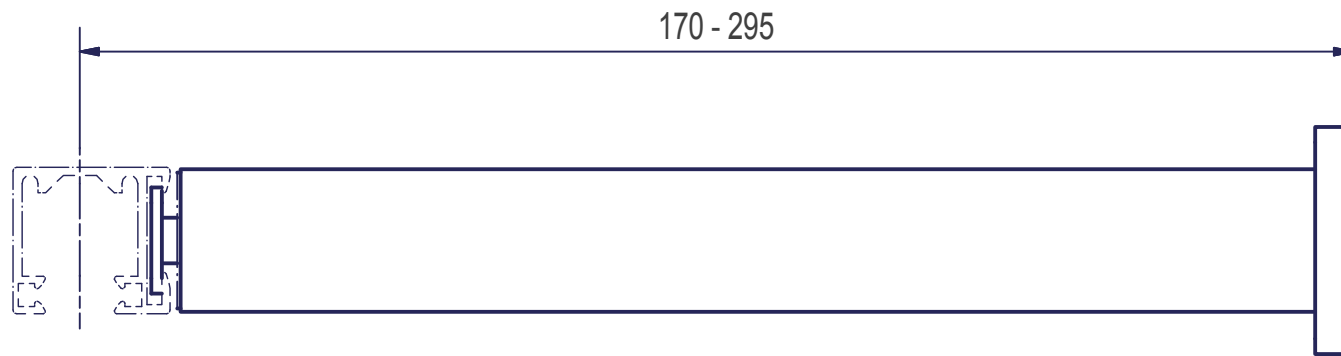
Type K

Type KDV

Type STL



Telescopic holder - type TD 170 - 295 mm



For types of guiding rail:

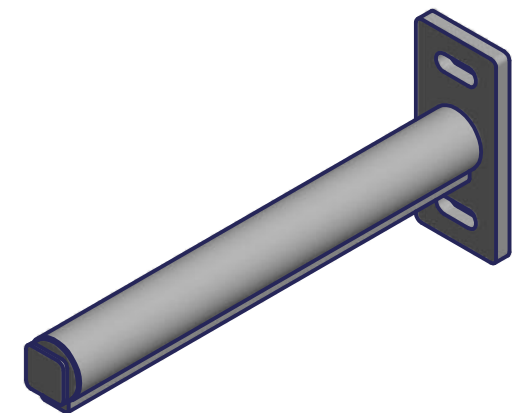
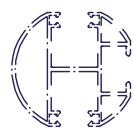
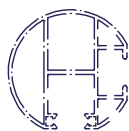
Type S

Type SVD 2

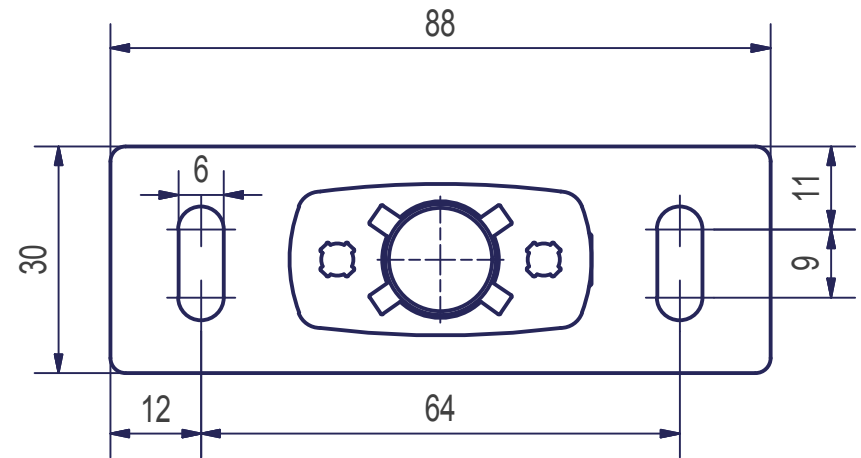
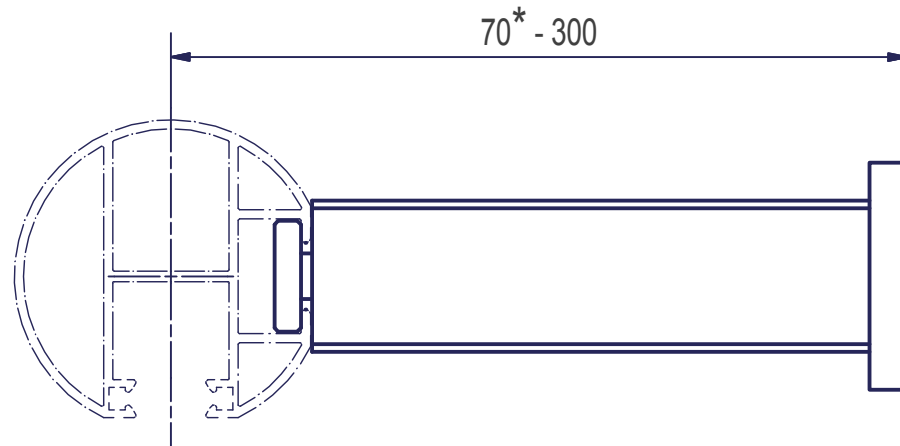
Type K

Type KDV

Type STL



Holder type KV 70 - 300 mm



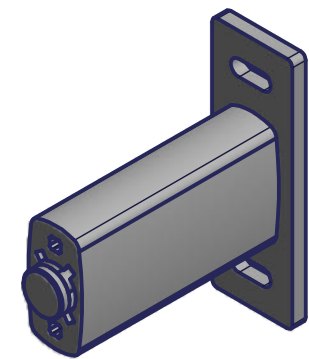
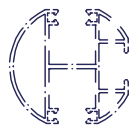
* 85 mm for facade blinds

For types of guiding rail:

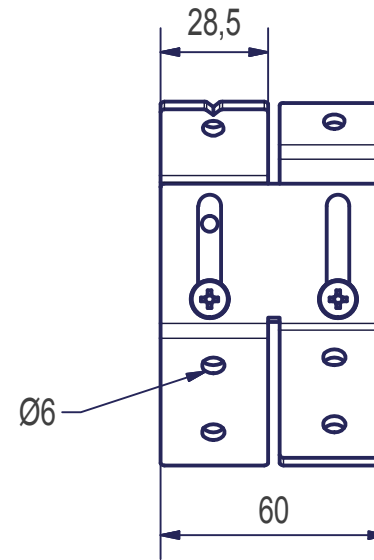
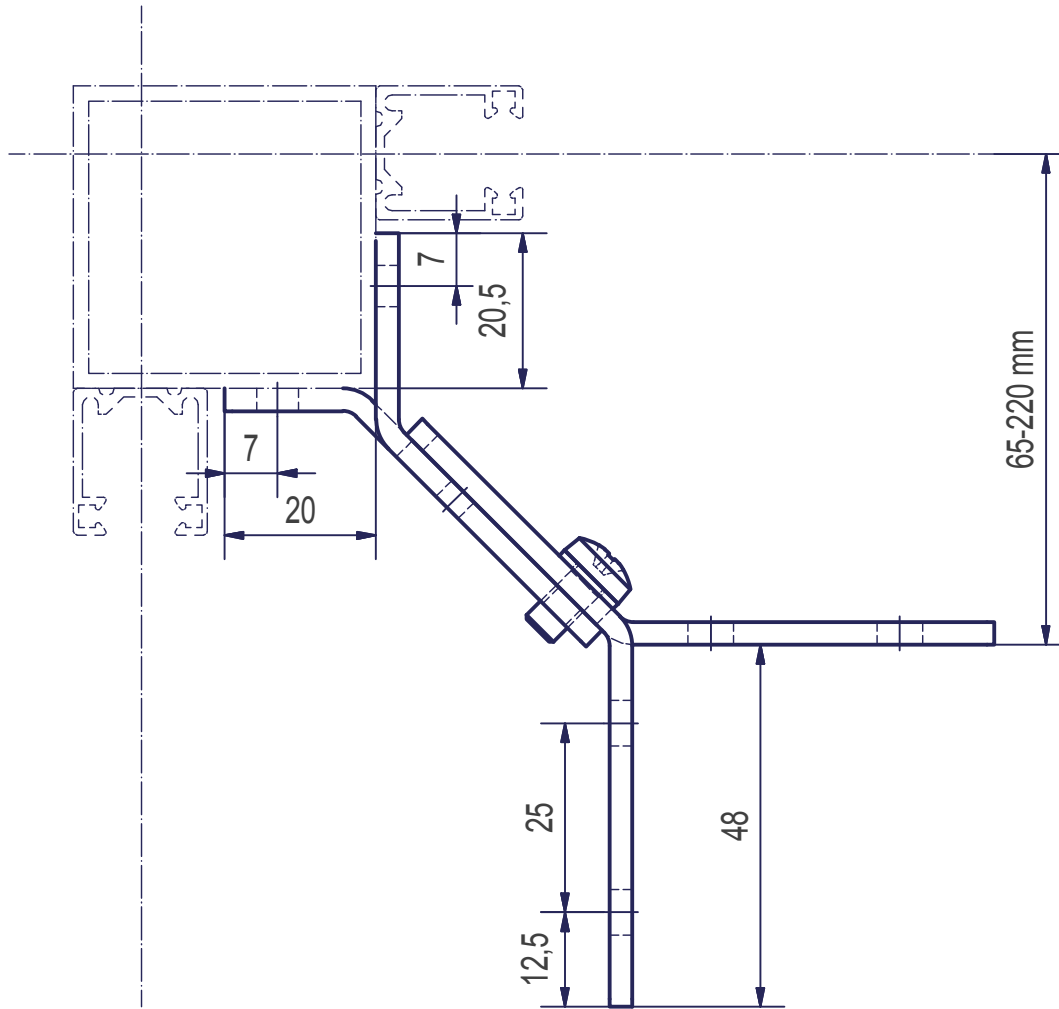
Typ K

Typ KDV

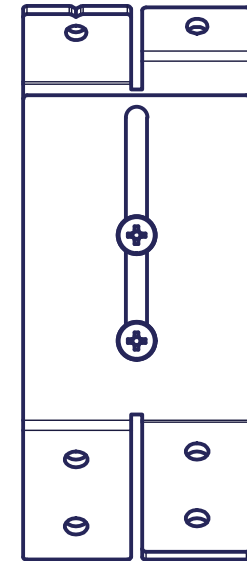
Typ STL



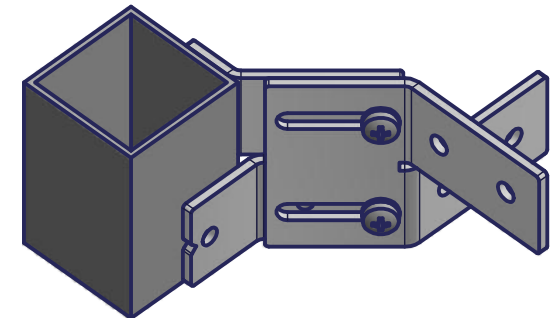
Guiding rail corner holder - outer



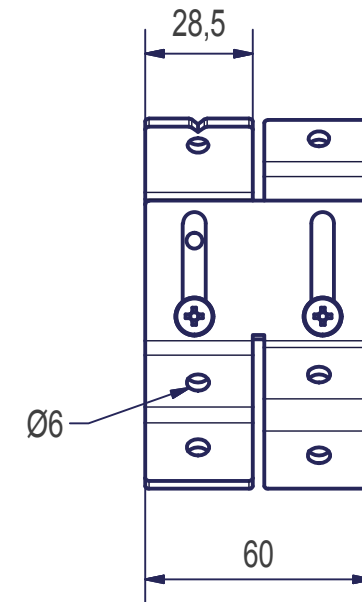
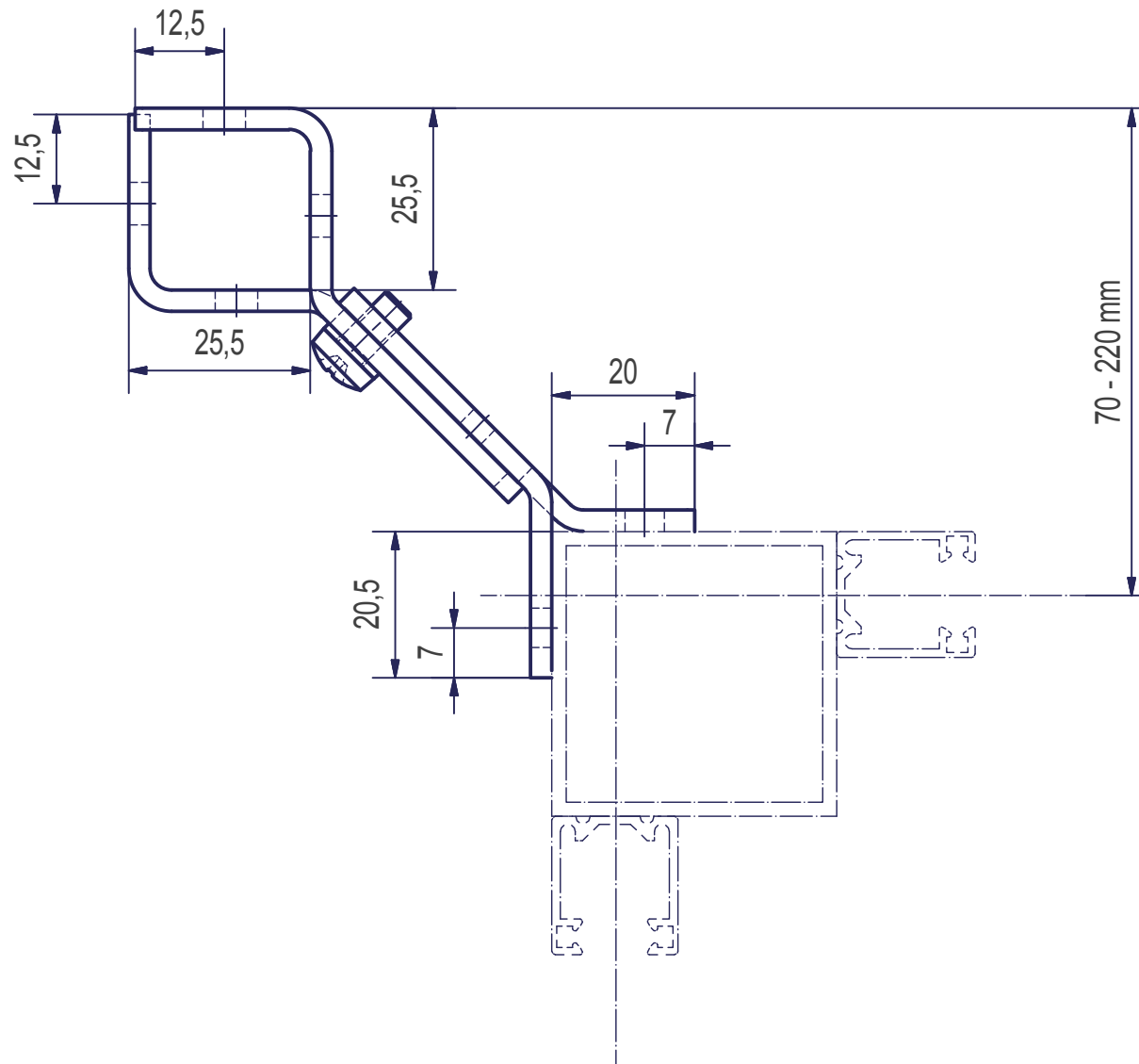
RA 65-80



RB 80-100
RC 100-140
RD 140-220



Guiding rail corner holder - inner



RVA 70 - 80

RVB 80 - 100

RVC 100 - 140

RVD 140 - 220

