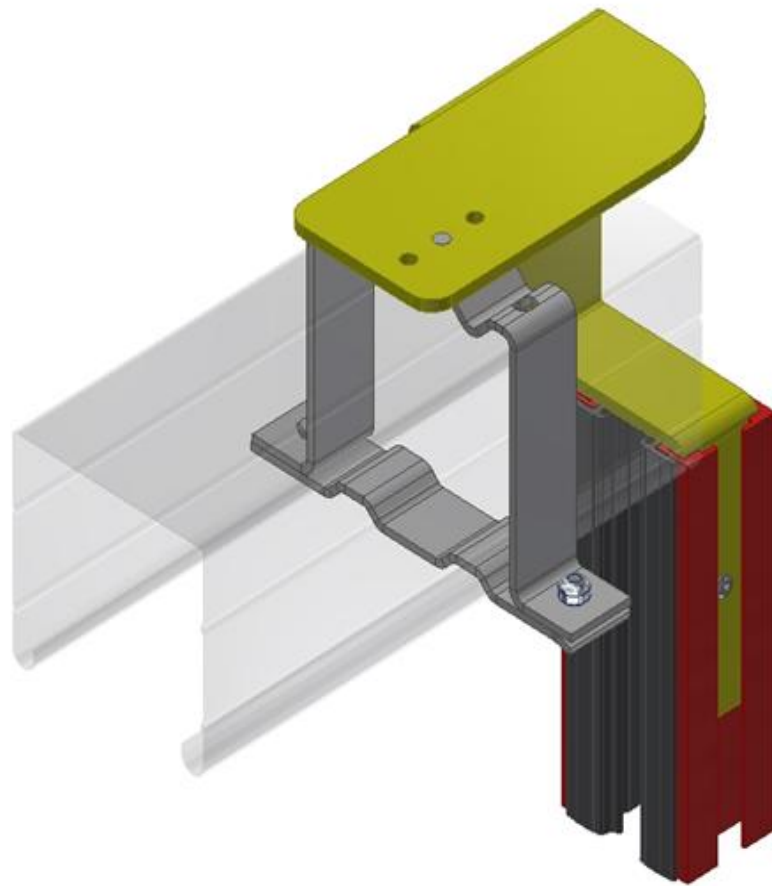
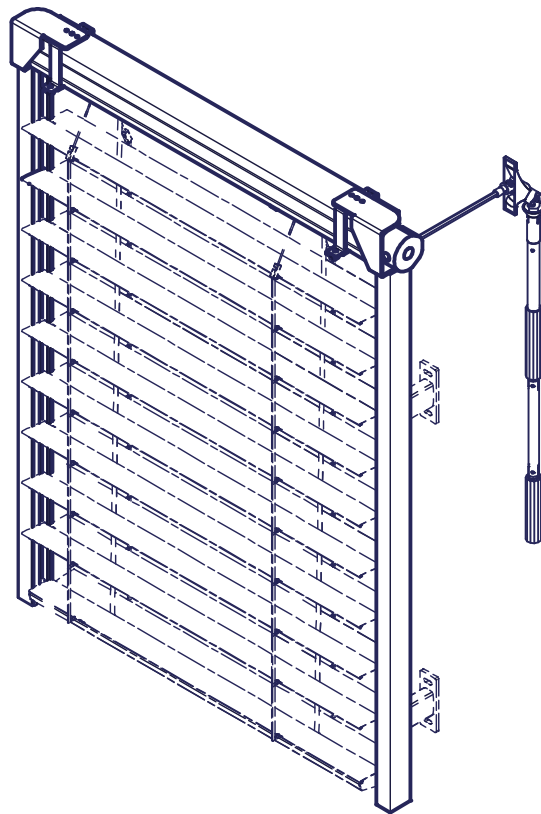


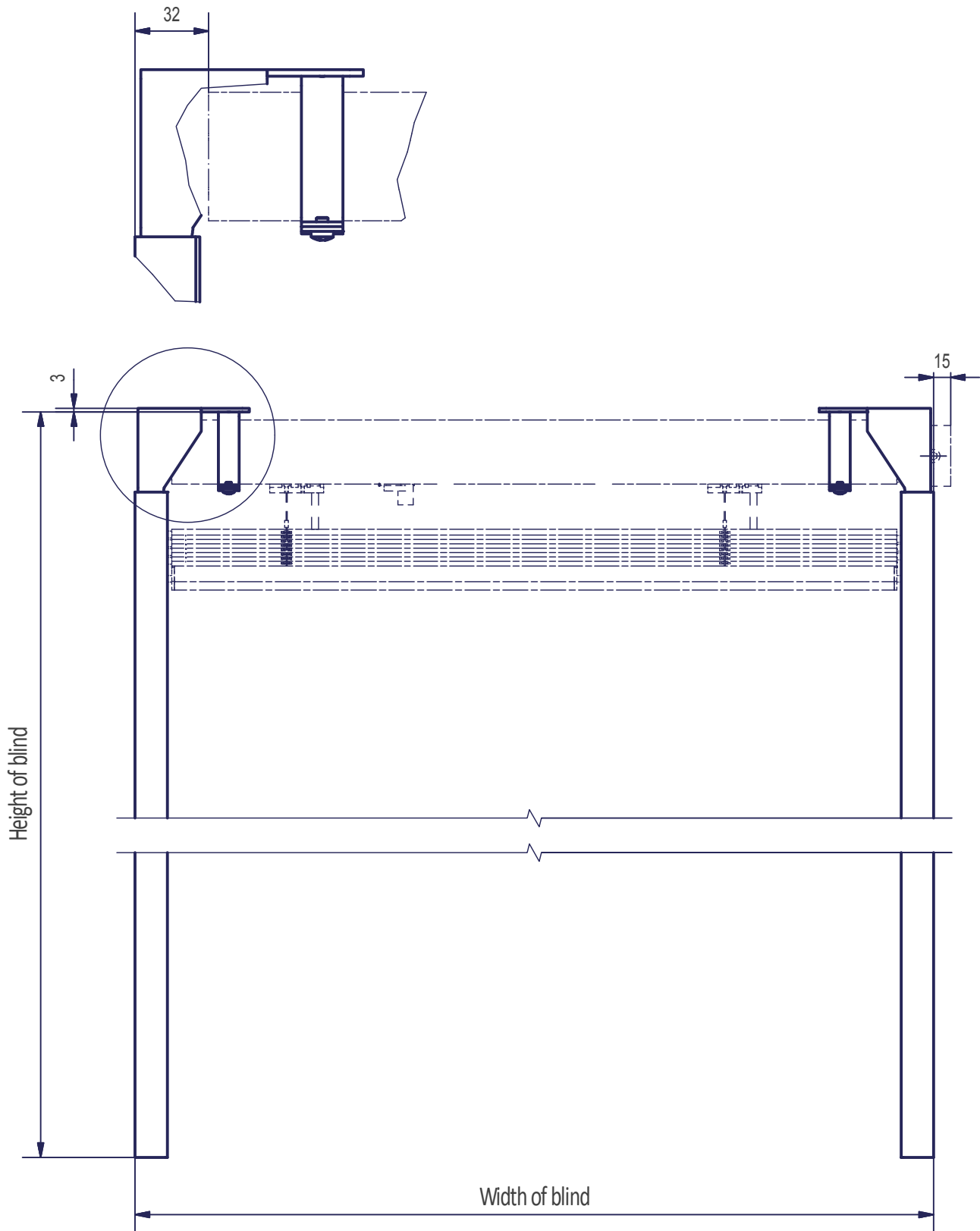
Self-bearing system STL - 3D detail



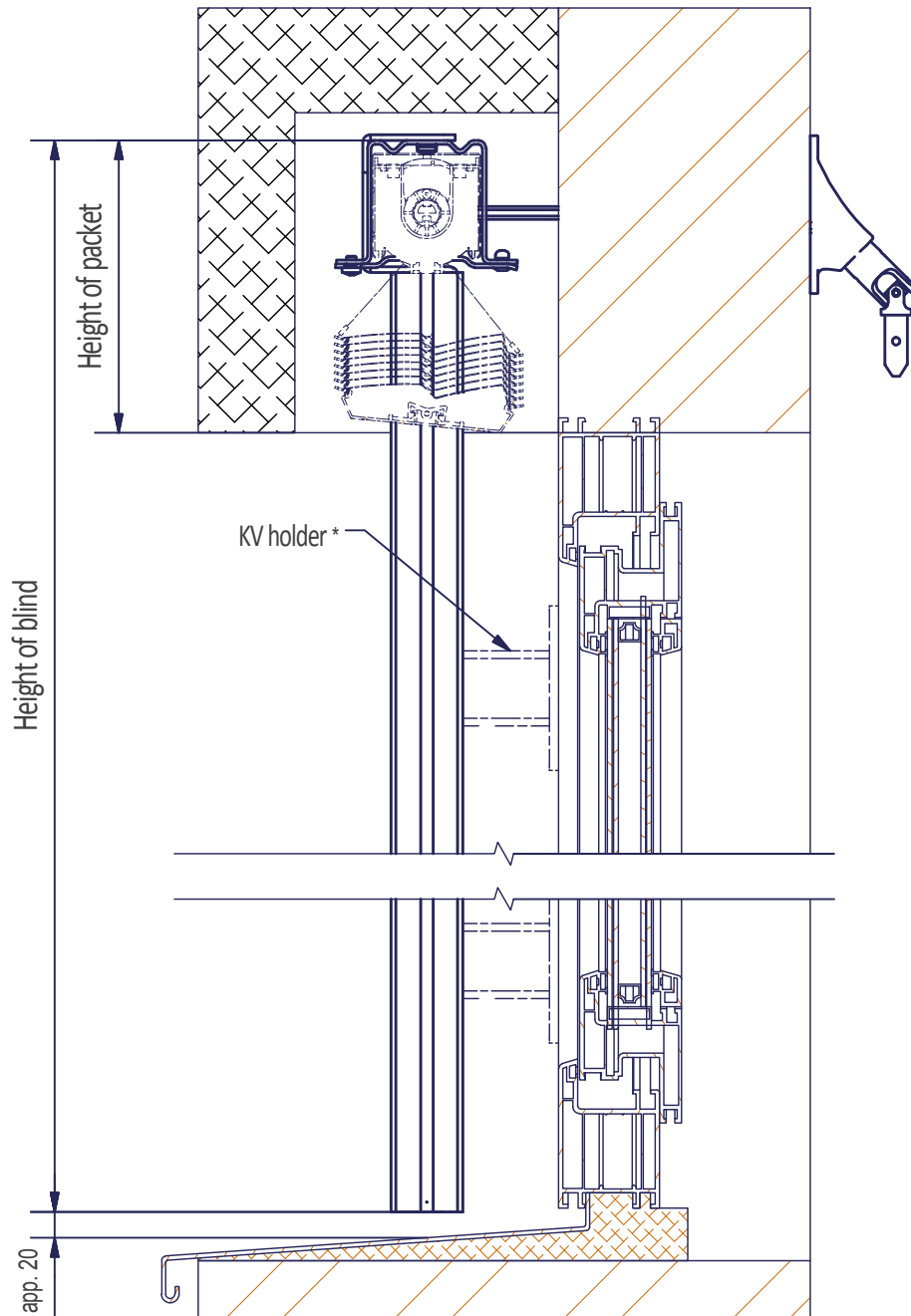
Self-bearing system STL - 3D view



Self-bearing system STL - front sectional view

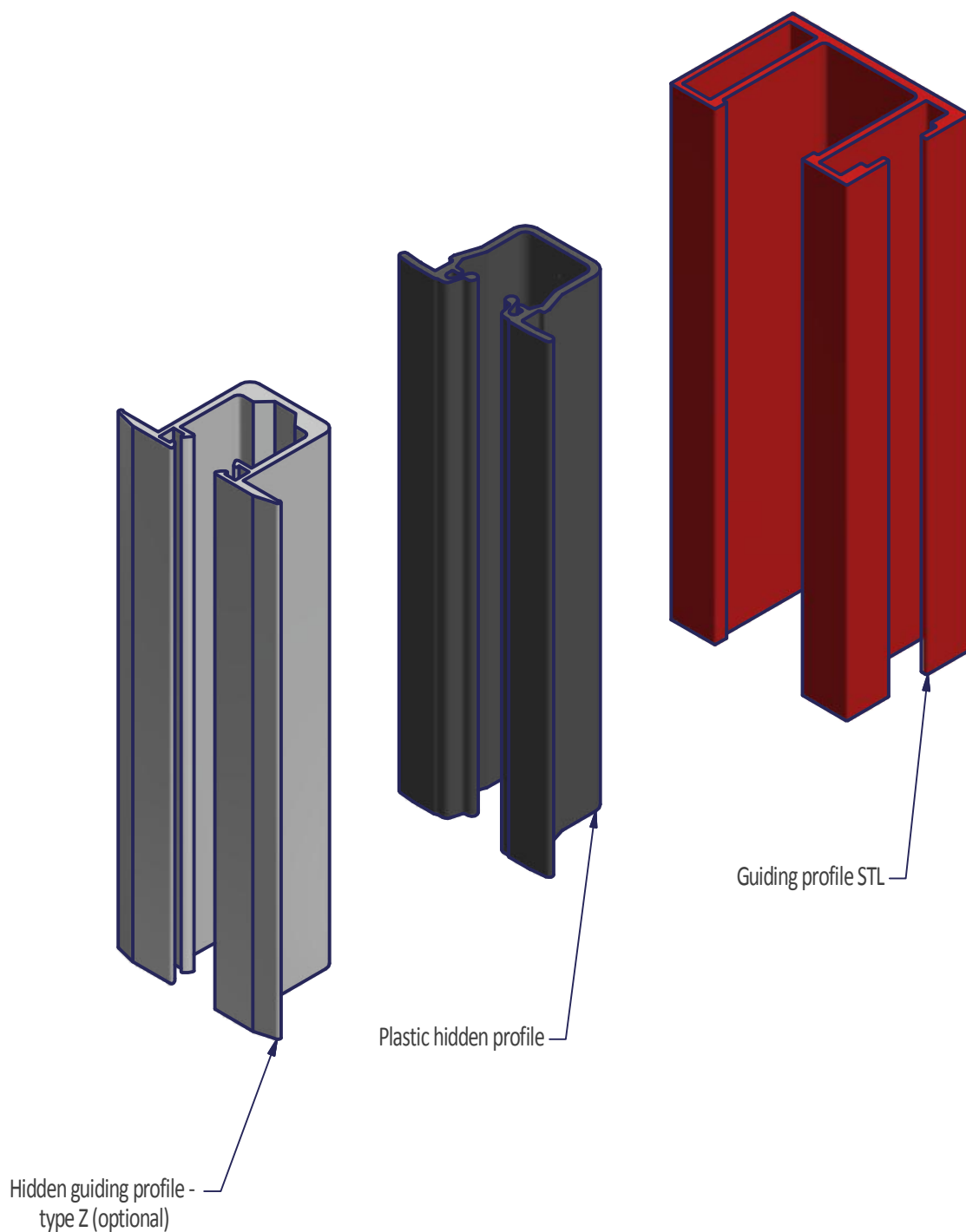


Self-bearing system STL - sectional view

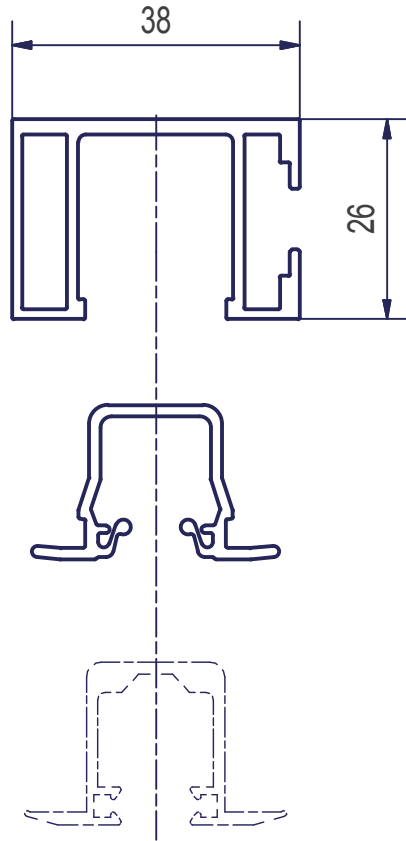


* Option - mounting on the wall

Self-bearing system STL - guiding profiles 3D detail



Self-bearing system STL - guiding profiles scheme



Note: ----- option