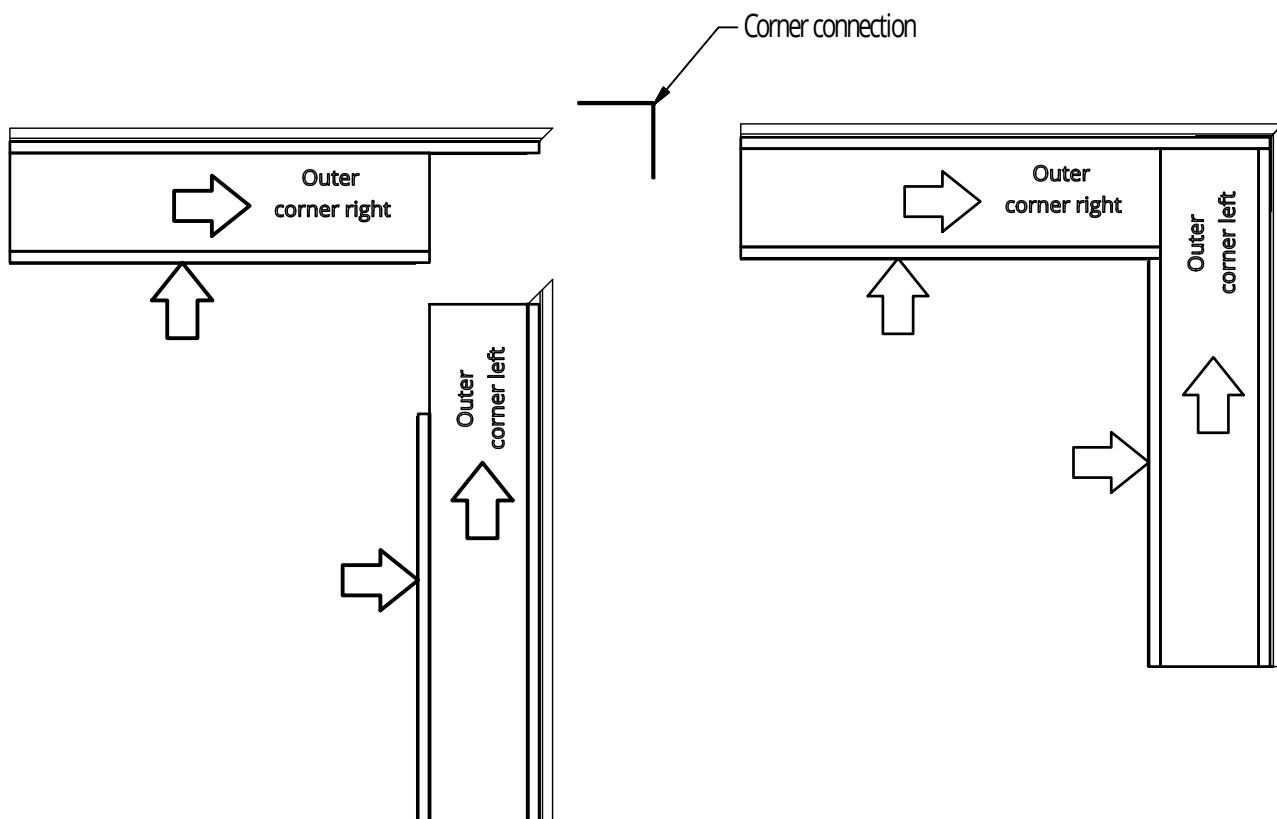
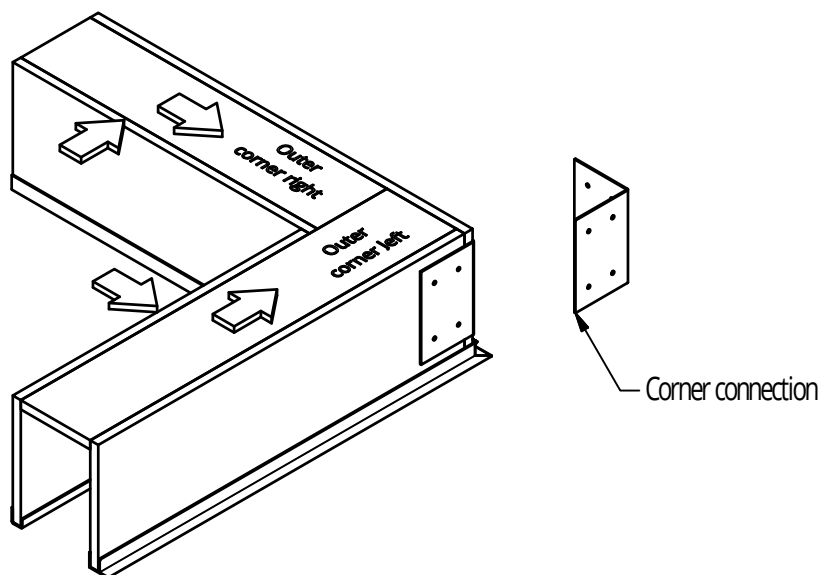
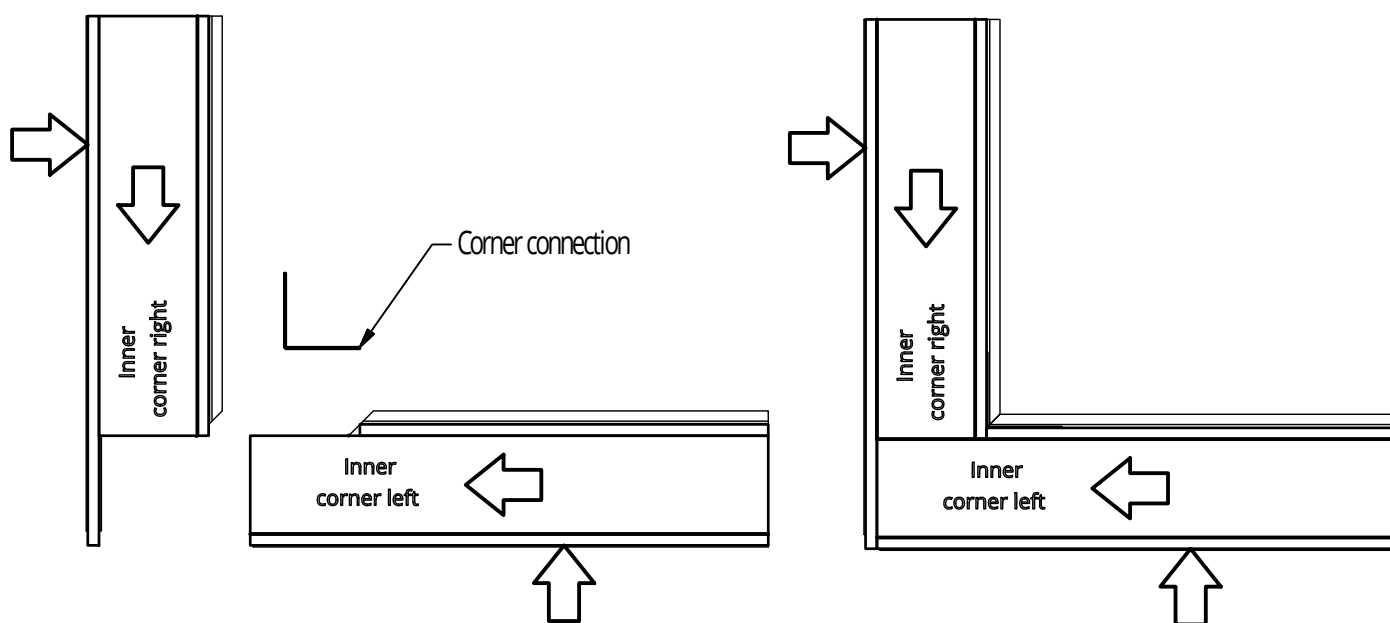
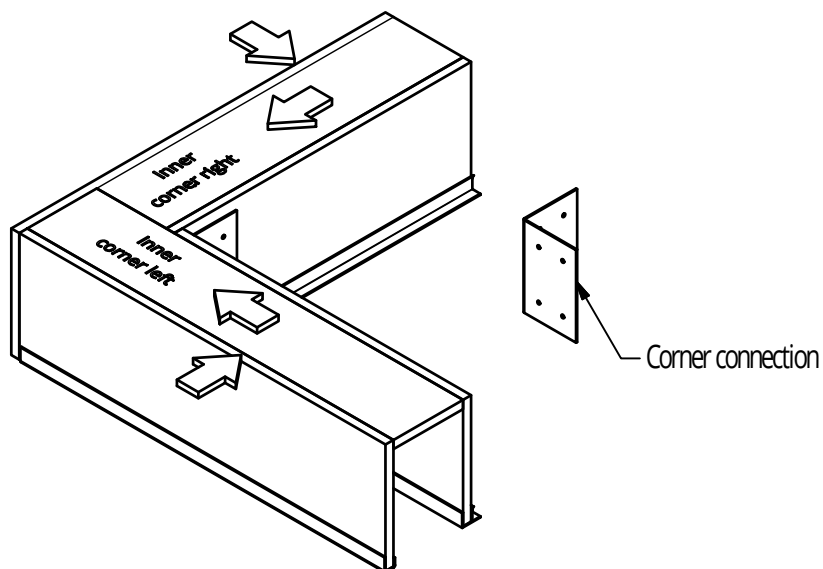


Underfacade case ISO-KASTL - corner connection - outer corner



Underfacade case ISO-KASTL - corner connection - inner corner



Underfacade case ISO-KASTL - corner connection - examples of use

