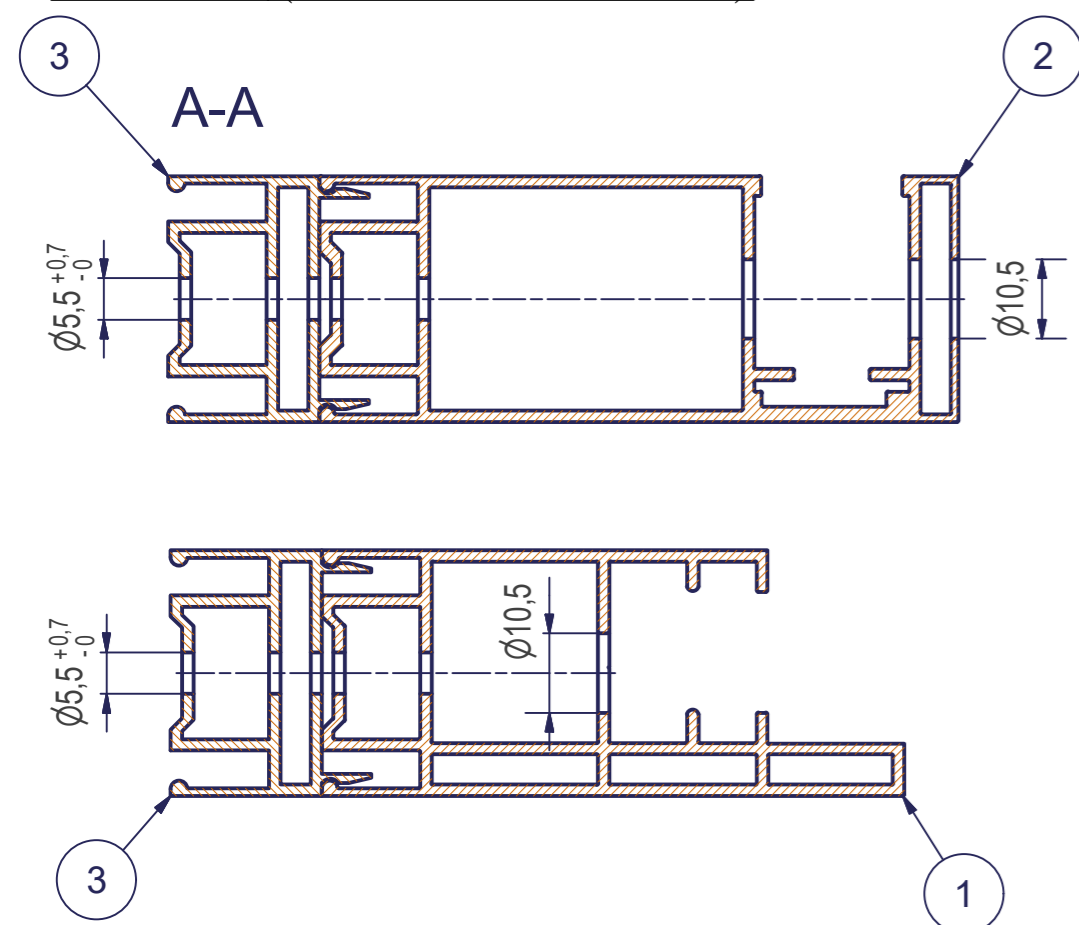
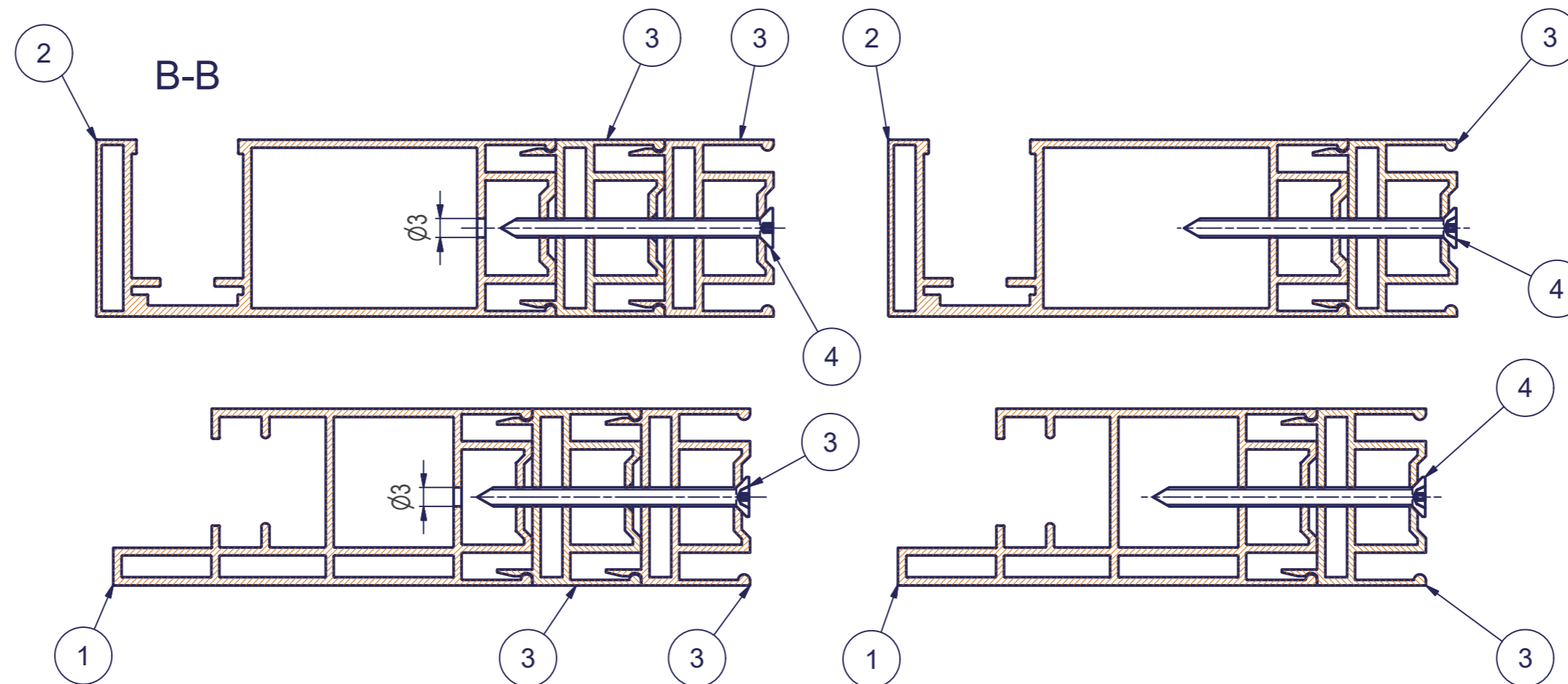


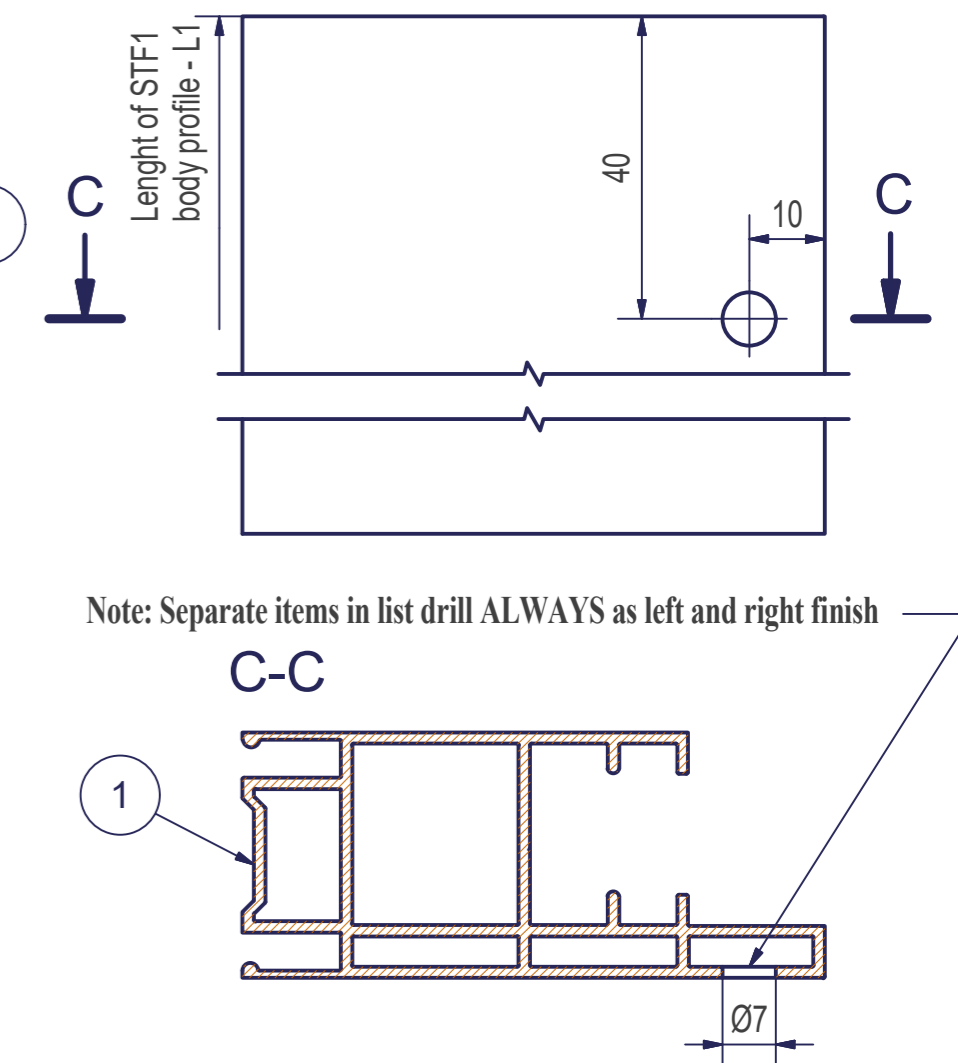
A. MOUNTING HOLES FOR FIXING BLIND TO BUILDING (SECTIONAL VIEW A-A)



B. FIXING DISTANCE PROFILES TO BODY OF STF (SECTIONAL VIEW B-B)



C. HOLE FOR SECURING COVER SHEET HOLDER IN STF 1 PROFILE (SECTIONAL VIEW C-C)



Qty of holes for mounting up to 2500 mm of blind width				
Total STF L height (mm)	Qty of holes for mounting	X1 (mm)	X2 (mm)	X3 (mm)
400 - 1 499	2	130	-	
1 500 - 2 499	3	130	L1 / 2	
2 500 - 3 399	4	130	-	(L1 - 260) / 3
3 400 - 4 000	5	130	-	(L1 - 260) / 4

Qty of screws for connecting distance profiles with STF body			
Total STF L height (mm)	Qty of screws	Distance from the edge Y1 (mm)	Distance Y2 (mm)
to 599	2	80	-
600 - 2 499	2	200	-
2 500 - 4 000	3	200	(L1 / 2) - 100

IMPORTANT: Screw must not interfere into mounting hole !!!

Qty of holes for mounting from 2500 to 3500 mm of blind width				
Total STF L height (mm)	Qty of holes for mounting	X1 (mm)	X2 (mm)	X3 (mm)
400 - 1 399	2	130	-	
1 400 - 2 199	3	130	L1 / 2	
2 200 - 3 099	4	130	-	(L1 - 260) / 3
3 100 - 4 000	5	130	-	(L1 - 260) / 4

- 2. STF 2 System - drill acc. to A, B
- 1. STF1 System - drill acc. to A, B, C

ITEM	DESCRIPTION
1	Guiding profile (body) of STF1
2	Guiding profile (body) of STF2
3	Distance profile STF
4	Screw 3,5 x 50 ZH TORX

Měřítko 1:2	Kreslil Hodan	Material	Poznámka:	Datum 1.6.2017	Průběh Tolerance: ISO 2768 - m
 <small>ZALUZIE NEVA s.r.o. Háj 370, 798 12 Kralice na Hané, Česká republika, www.nevapv.cz</small>			Název / Name / Bezeichnung Mounting holes for STF		
			Číslo výkresu	Formát A2	Listů/List 4 / 4