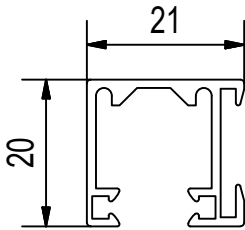
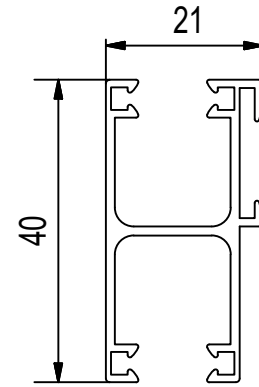


TYPES OF GUIDING RAILS

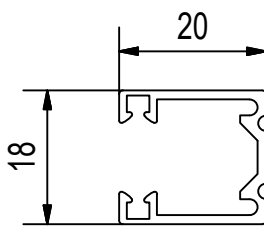
Guiding rail - standard single
type S



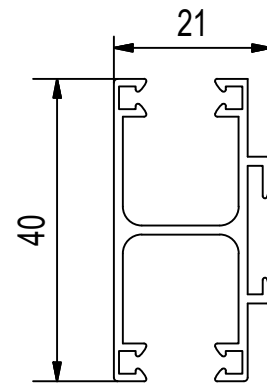
Guiding rail - standard double (rift on the side)
type SDV



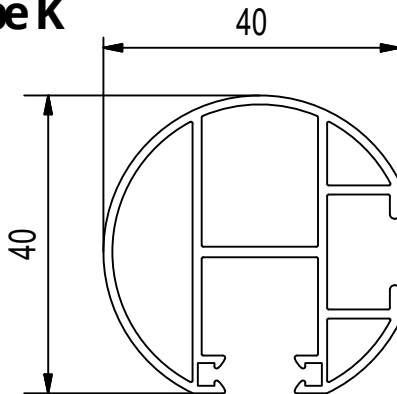
Guiding rail - dado
type O



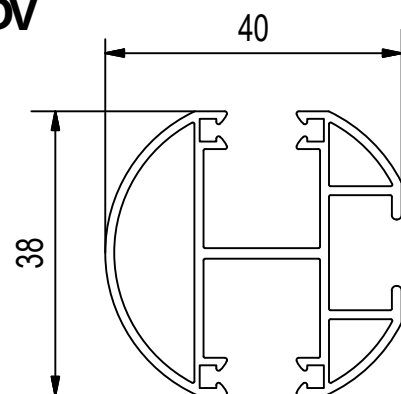
Guiding rail - standard double (rift on the centre)
type SDV 2



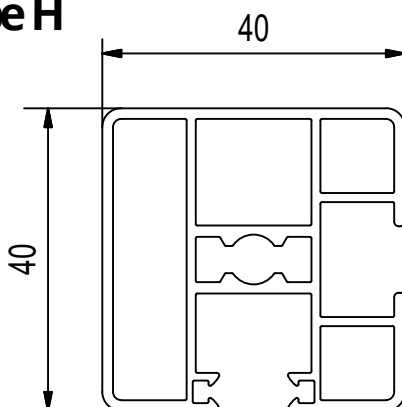
Guiding rail - round single
type K



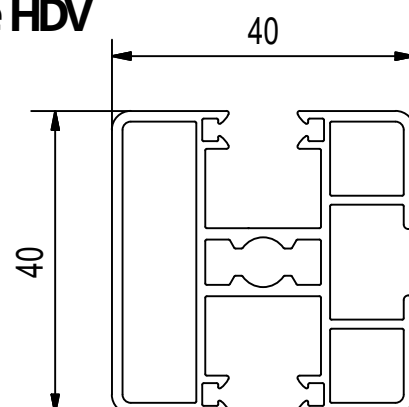
Guiding rail - round double
type KDV



Guiding rail square single
type H

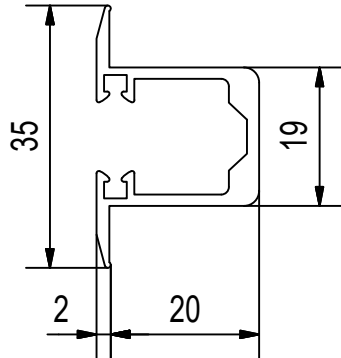


Guiding rail square double
type HDV

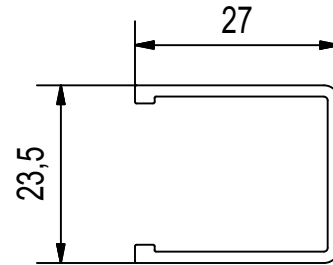


TYPES OF GUIDING RAILS

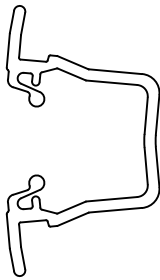
Guiding rail - hidden
type Z



Profile for hidden guiding rail
type U

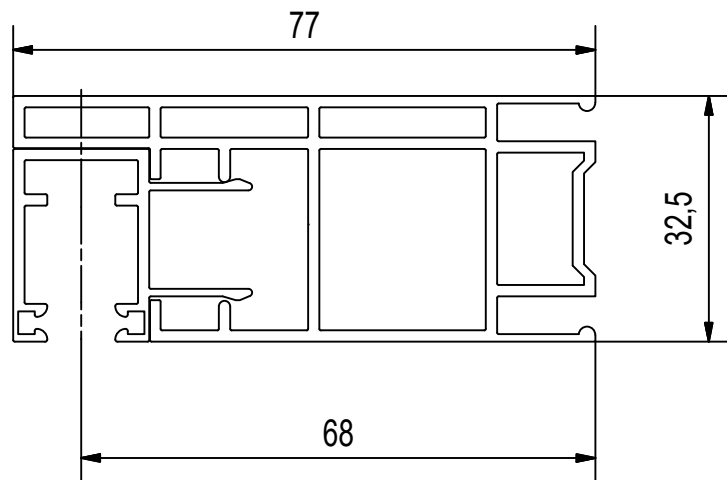


Plastic guiding profile

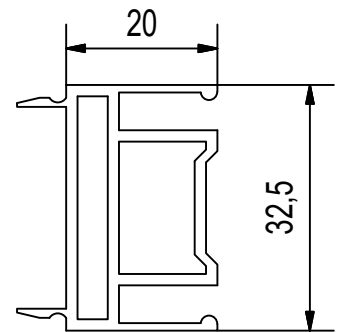


TYPES OF GUIDING RAILS

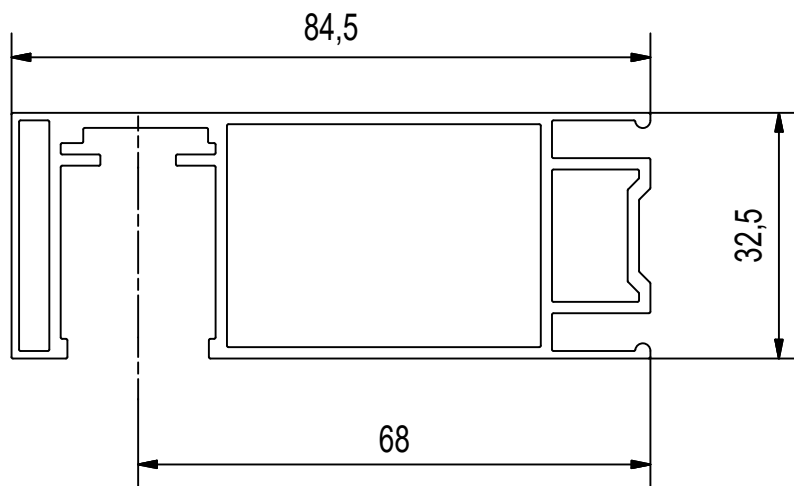
Guiding rail - STF 1



Distance profile - STF



Guiding rail - STF 2



Guiding rail - STL

