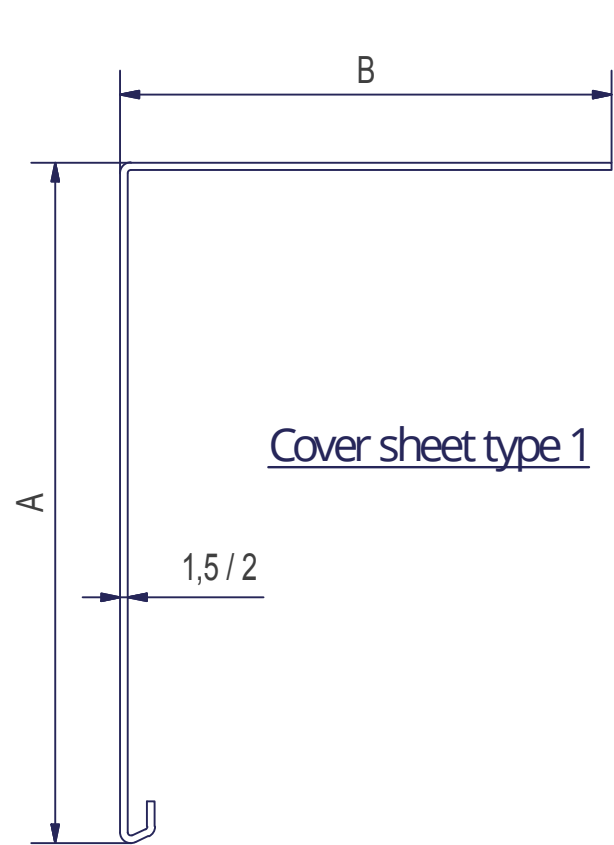
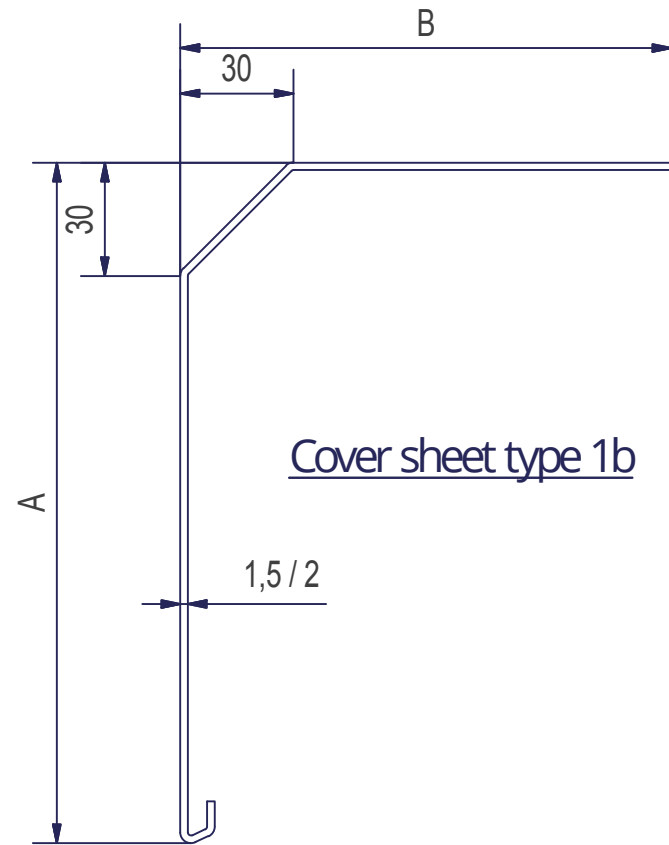


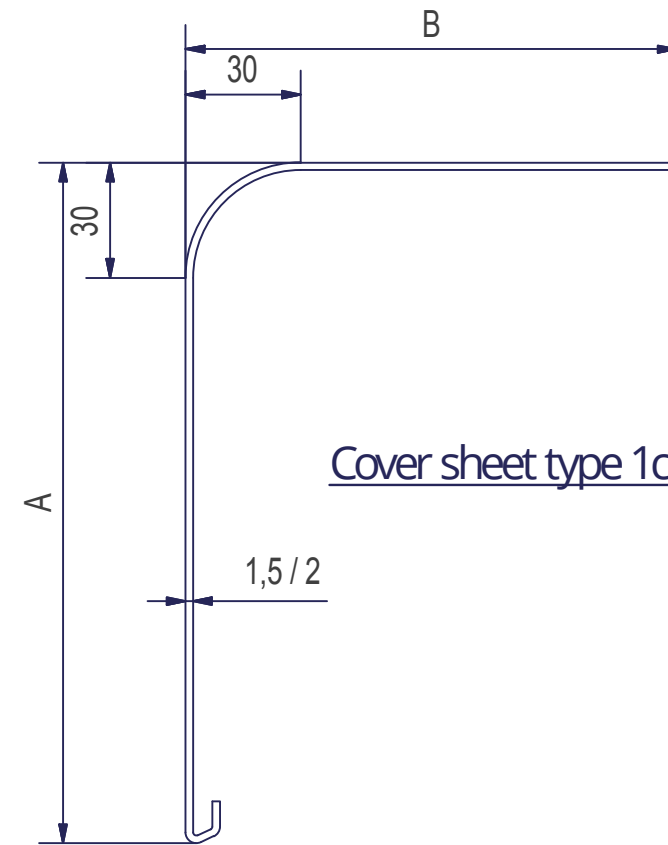
TYPES OF COVER SHEETS - 1st part



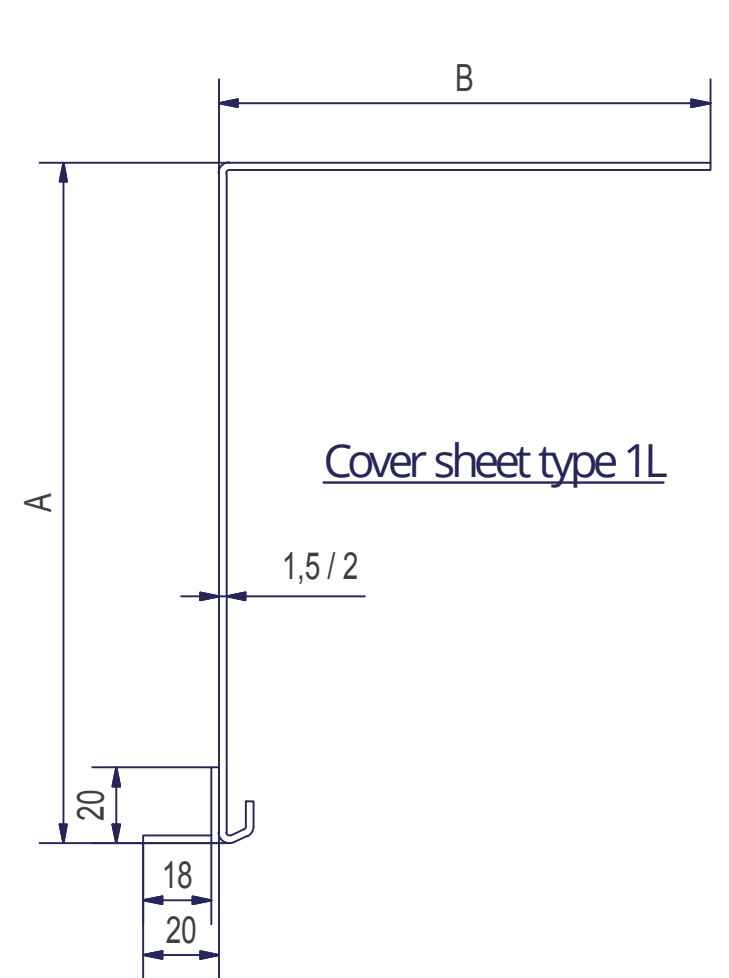
Cover sheet type 1



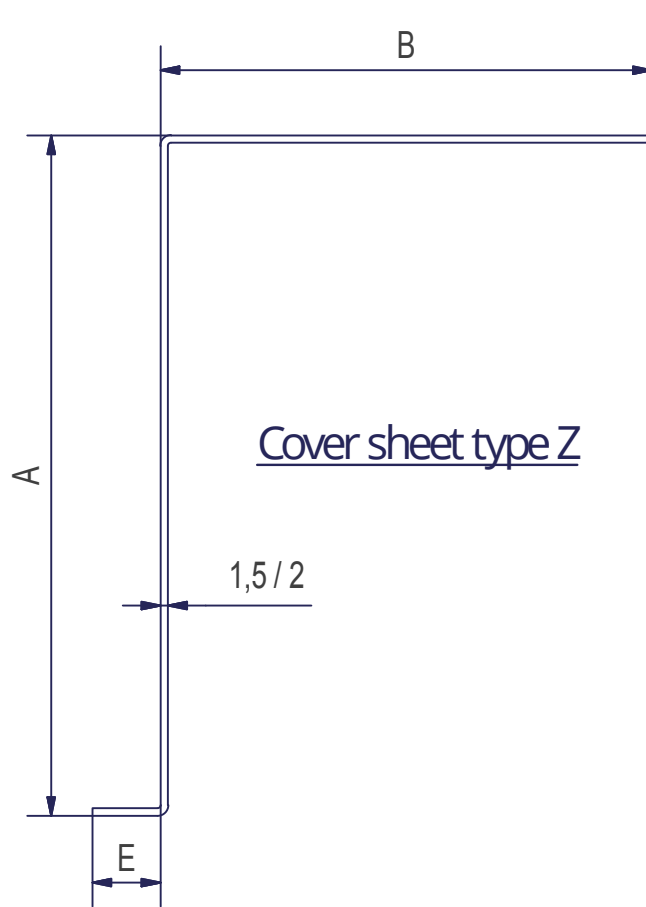
Cover sheet type 1b



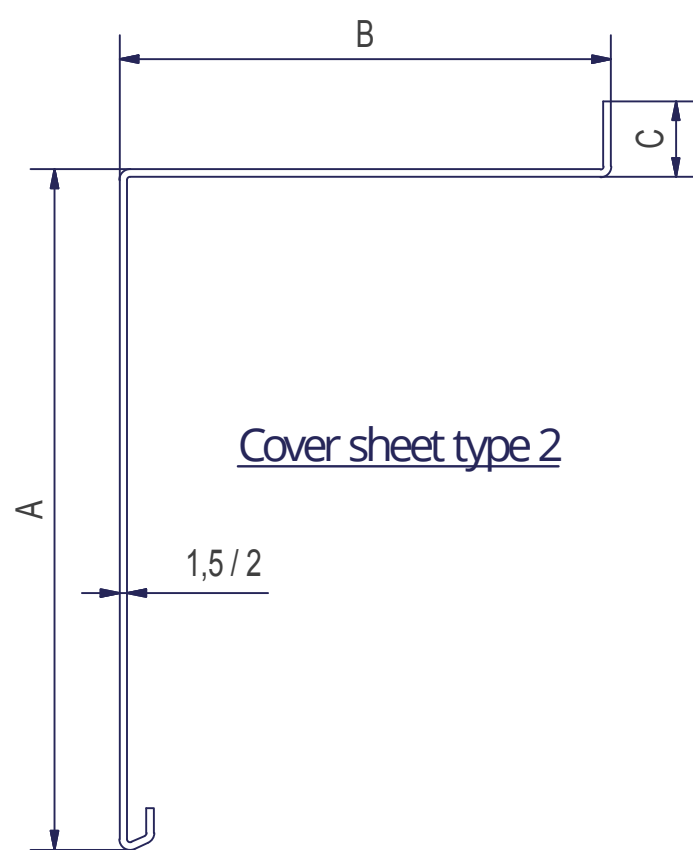
Cover sheet type 1c



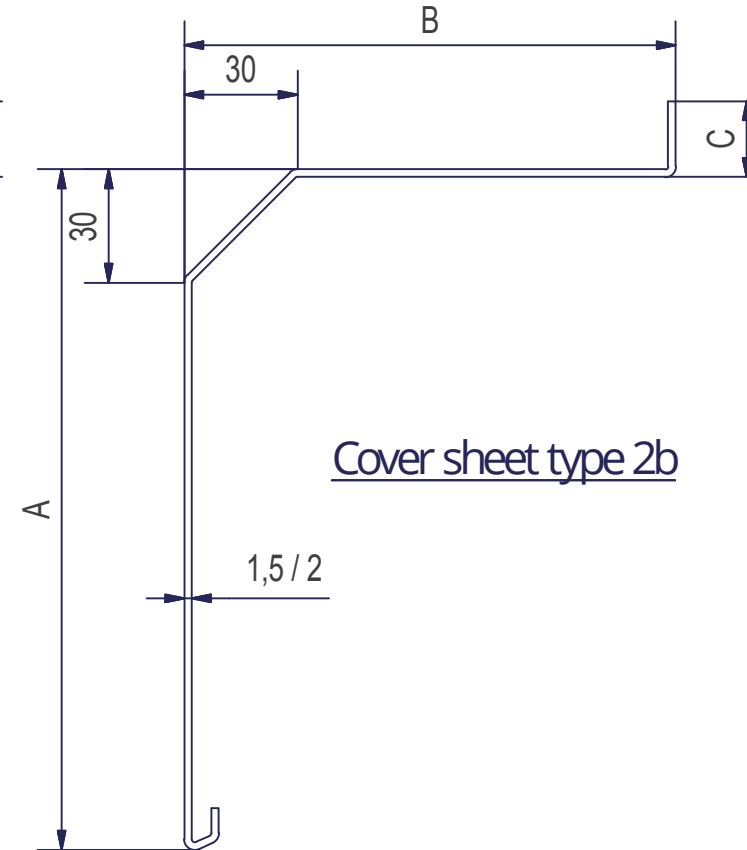
Cover sheet type 1L



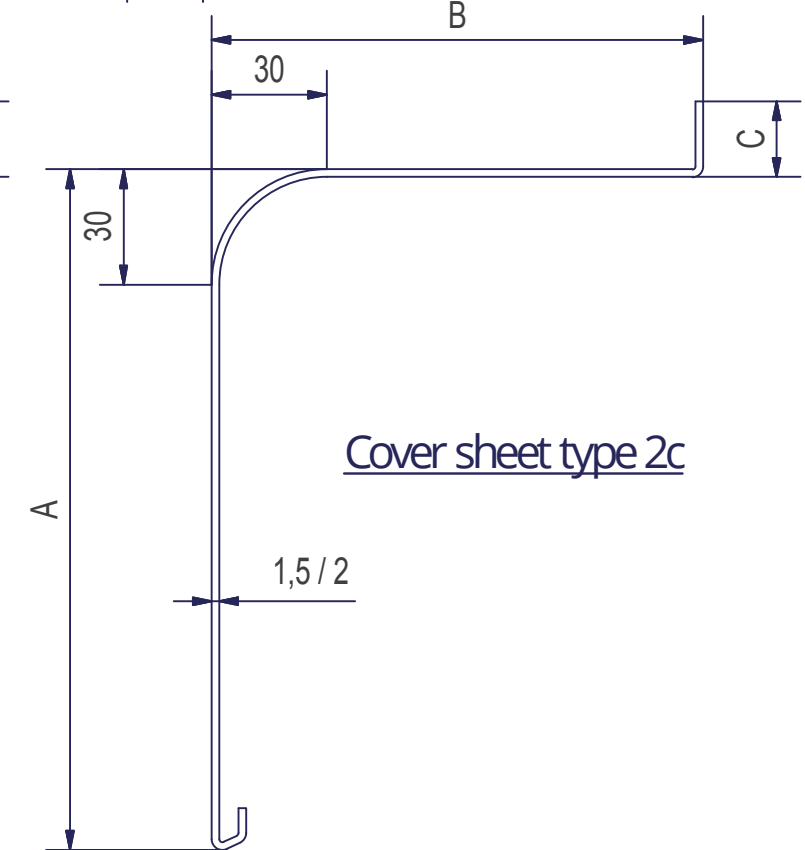
Cover sheet type Z



Cover sheet type 2

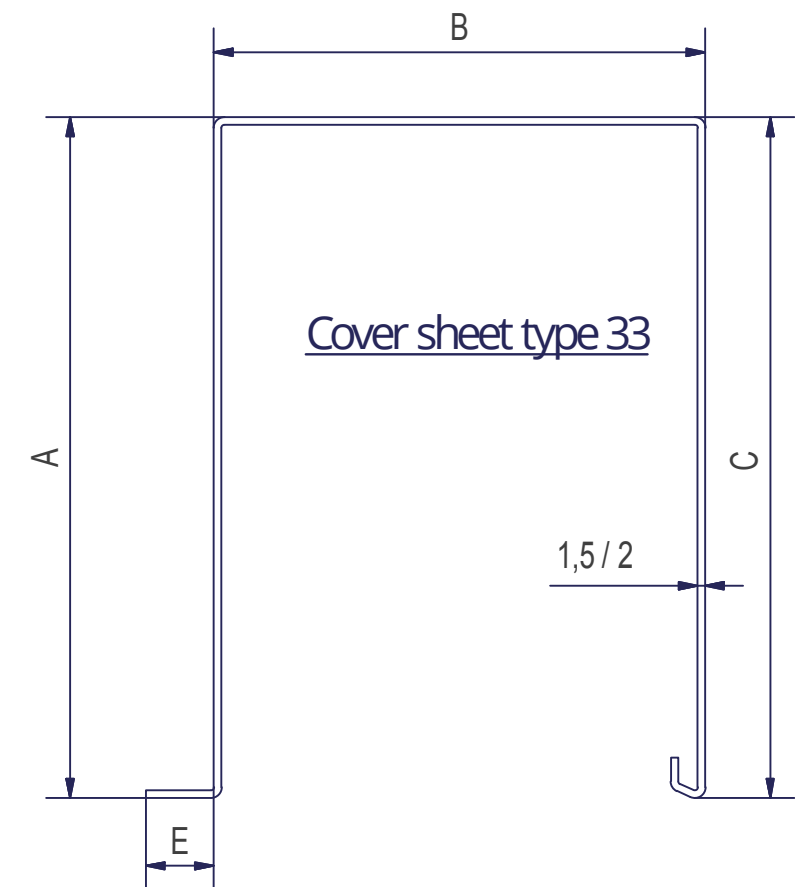
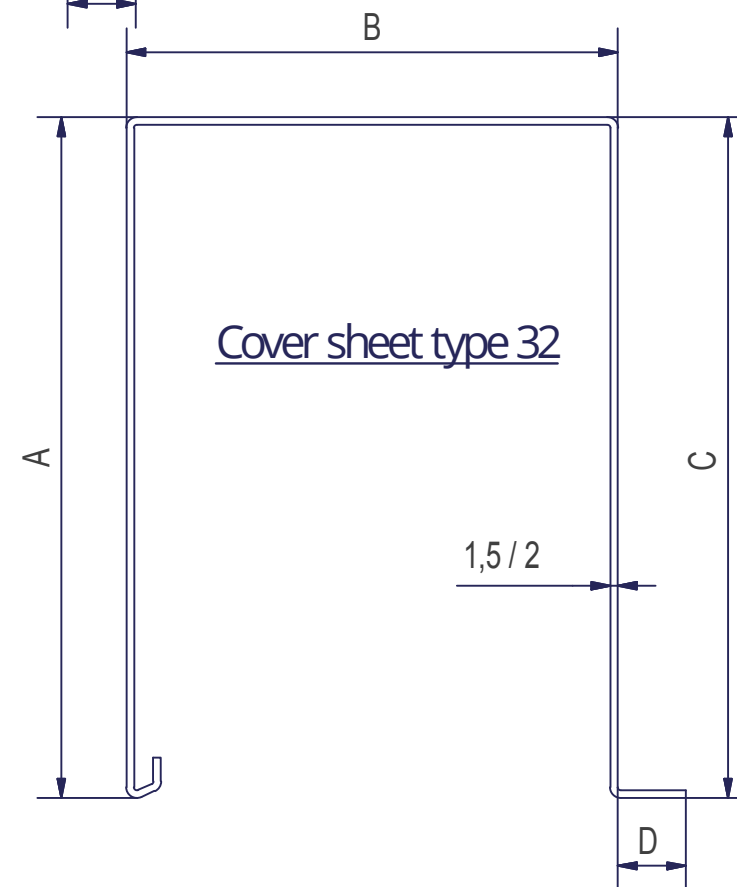
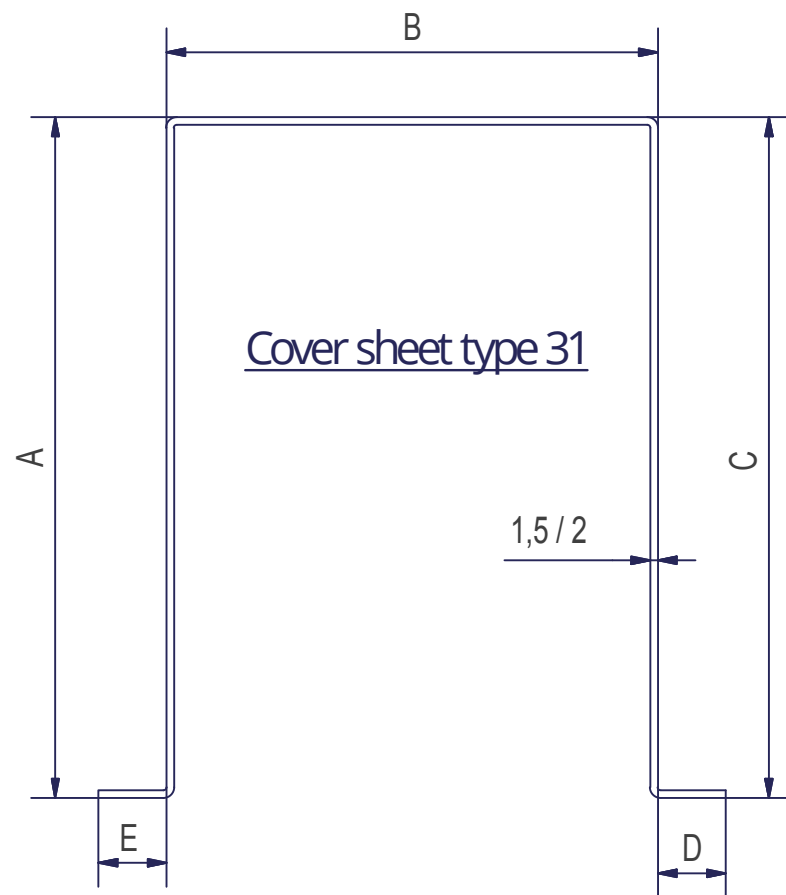
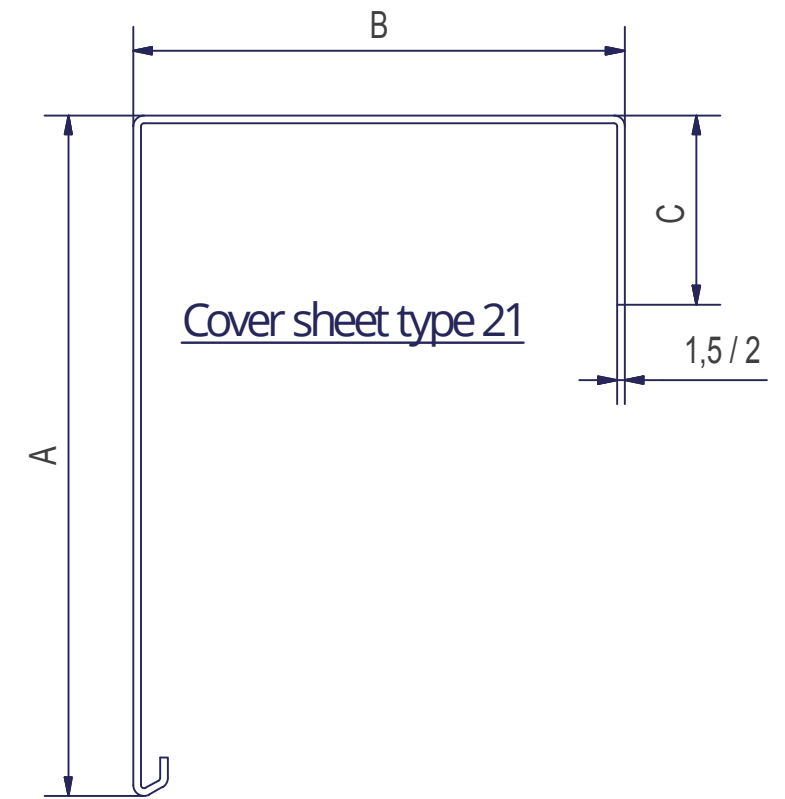
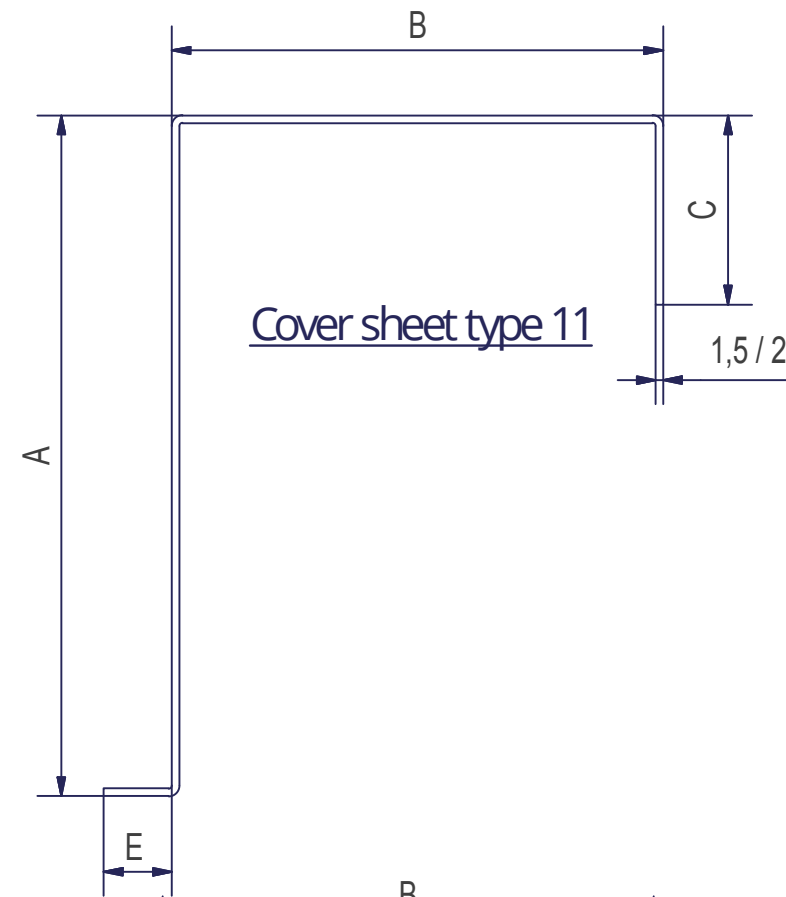
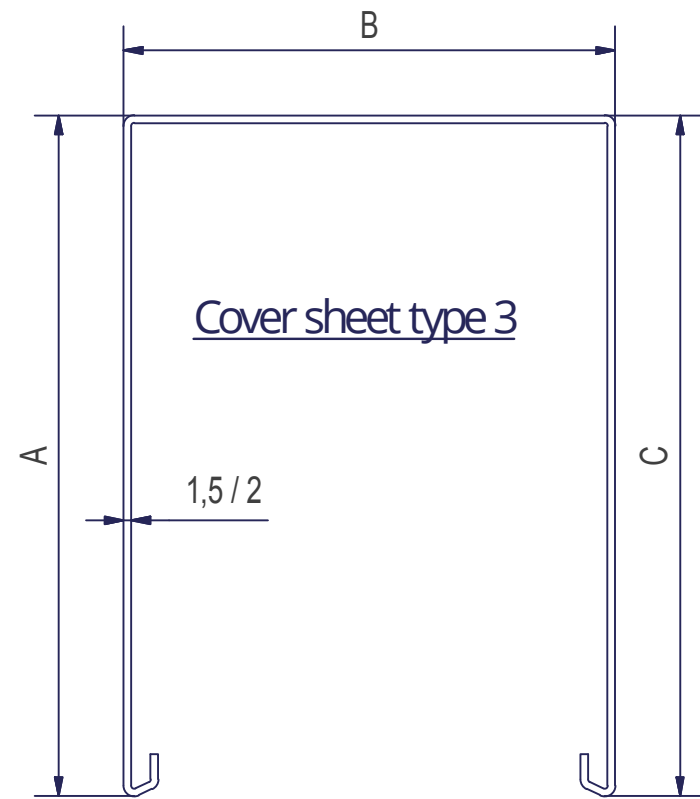


Cover sheet type 2b

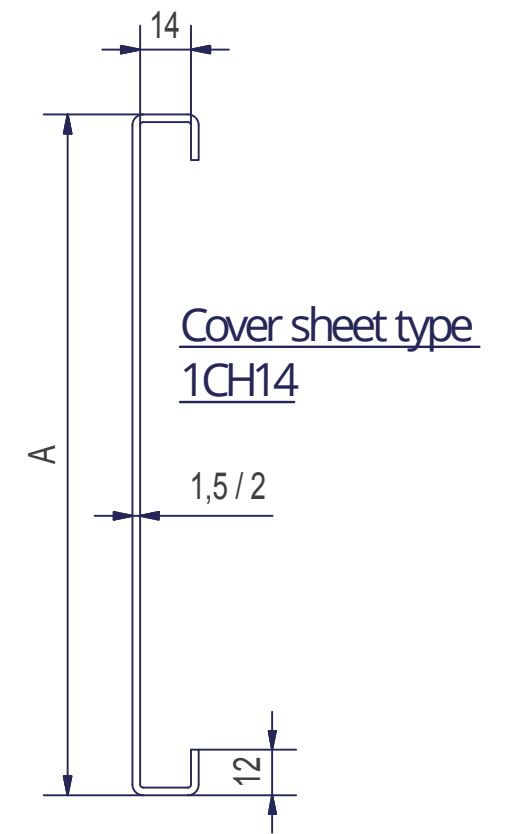
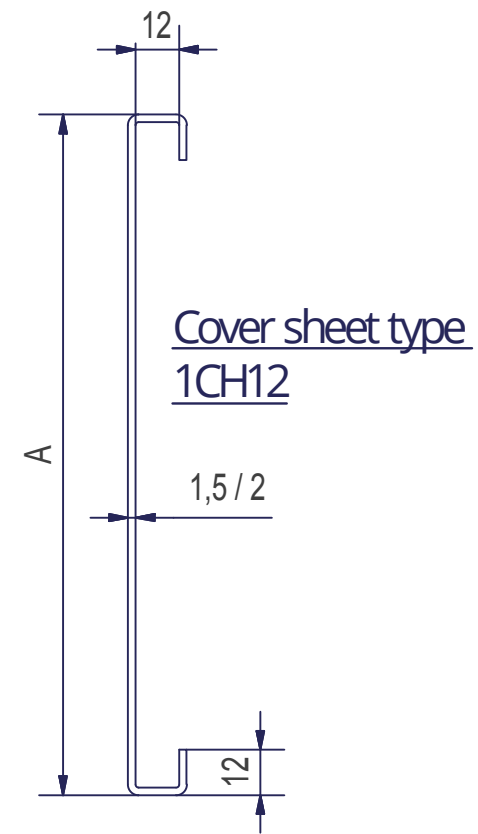
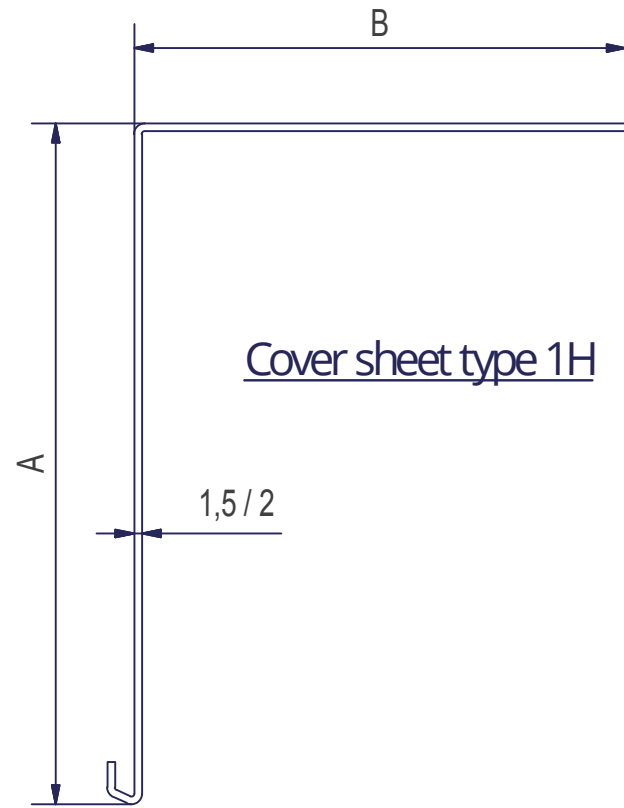


Cover sheet type 2c

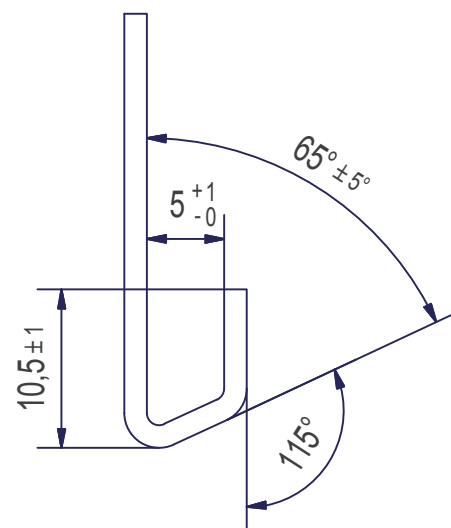
TYPES OF COVER SHEETS - 2nd part



TYPES OF COVER SHEETS - 3rd part

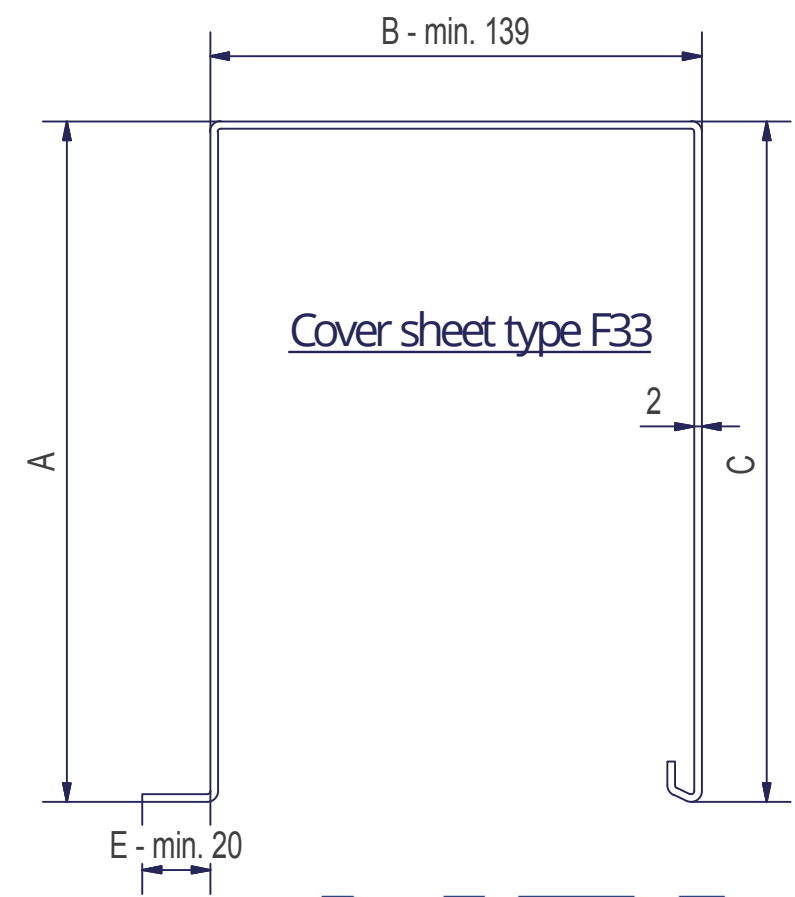
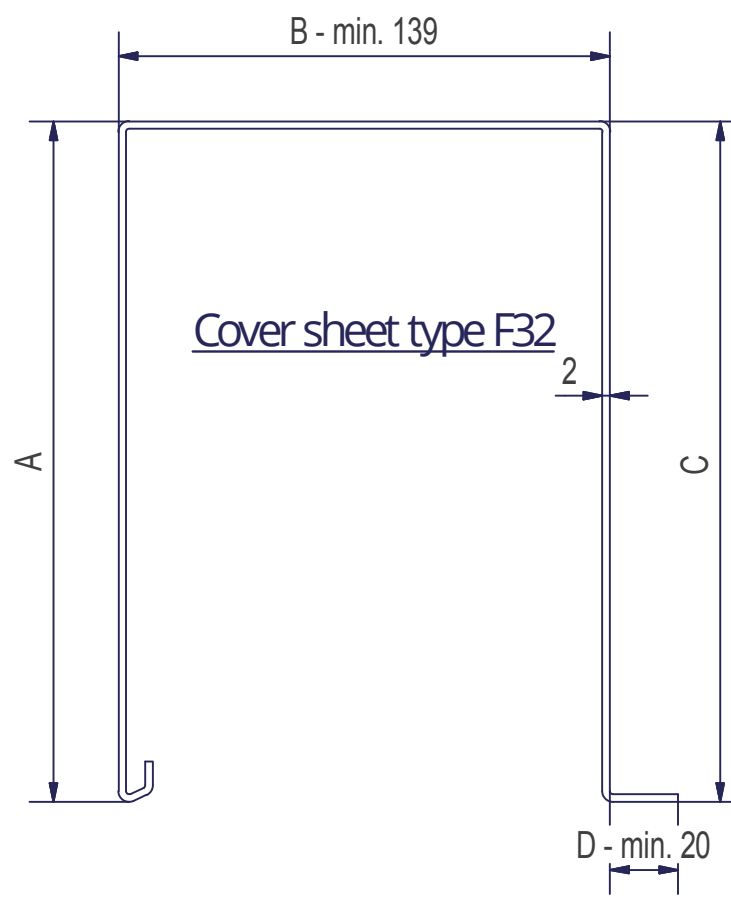
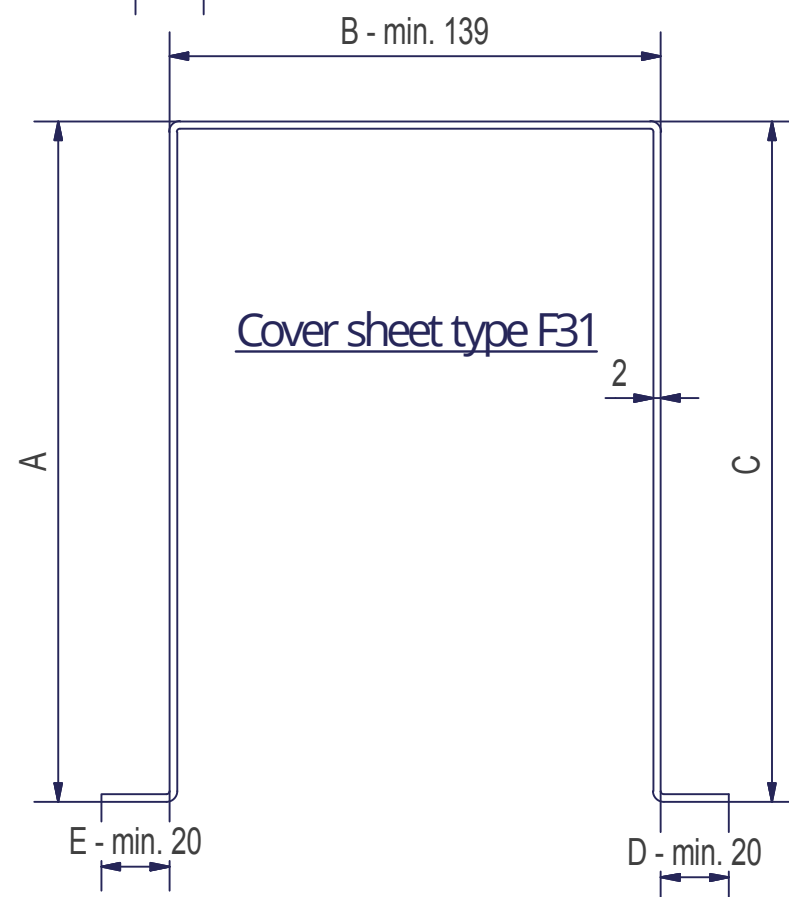
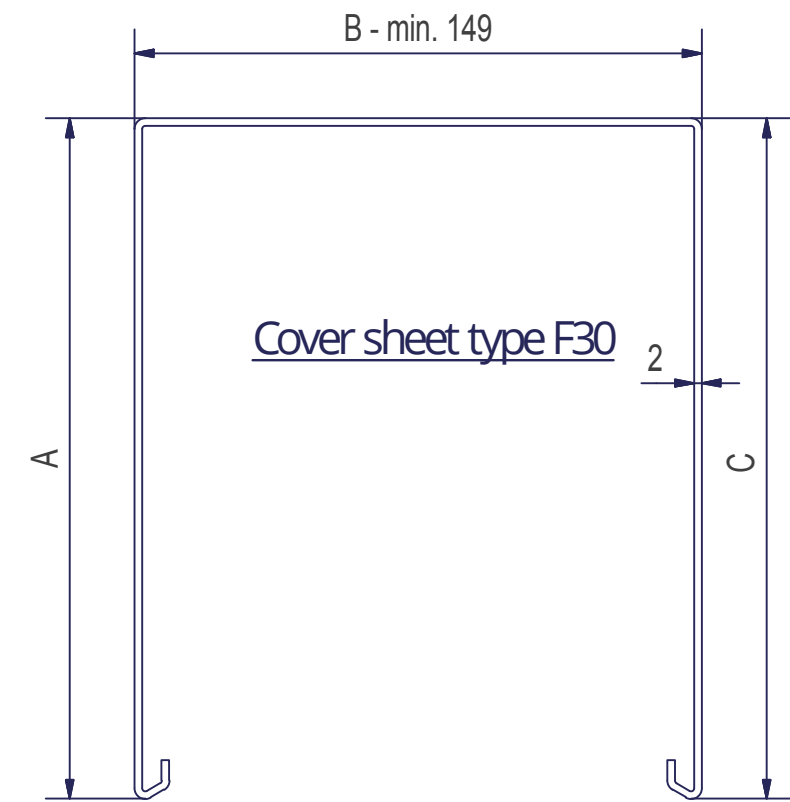
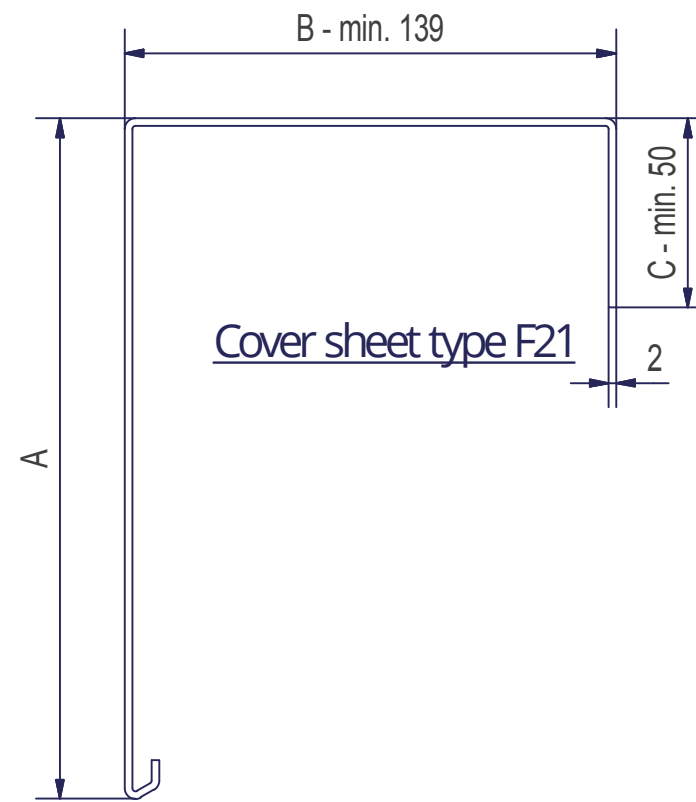
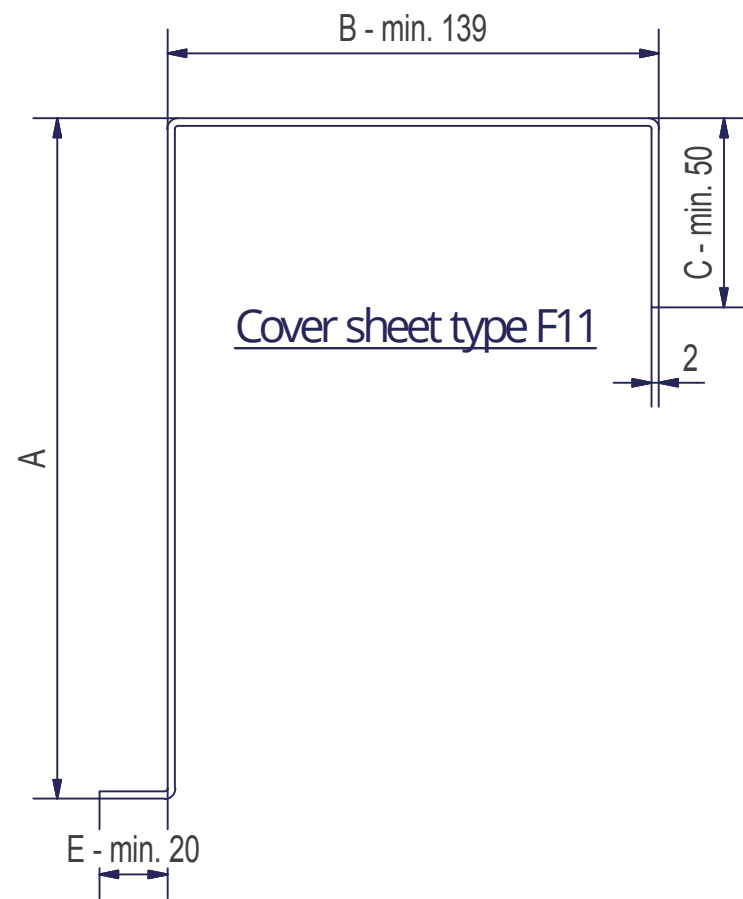


Detail of bending



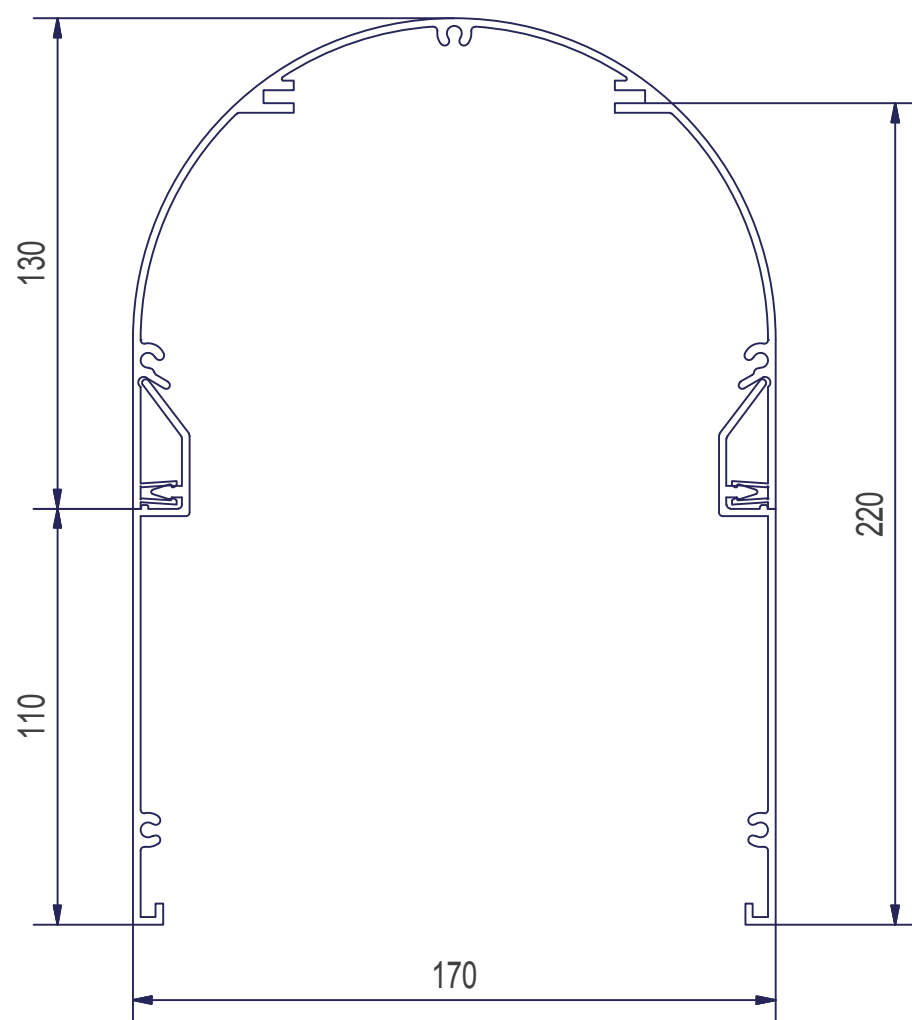
Insulation XPS 6 mm can be pasted on front side of cover sheet.

TYPES OF COVER SHEETS - 4th part for self-bearing systems STF 1 and STF 2

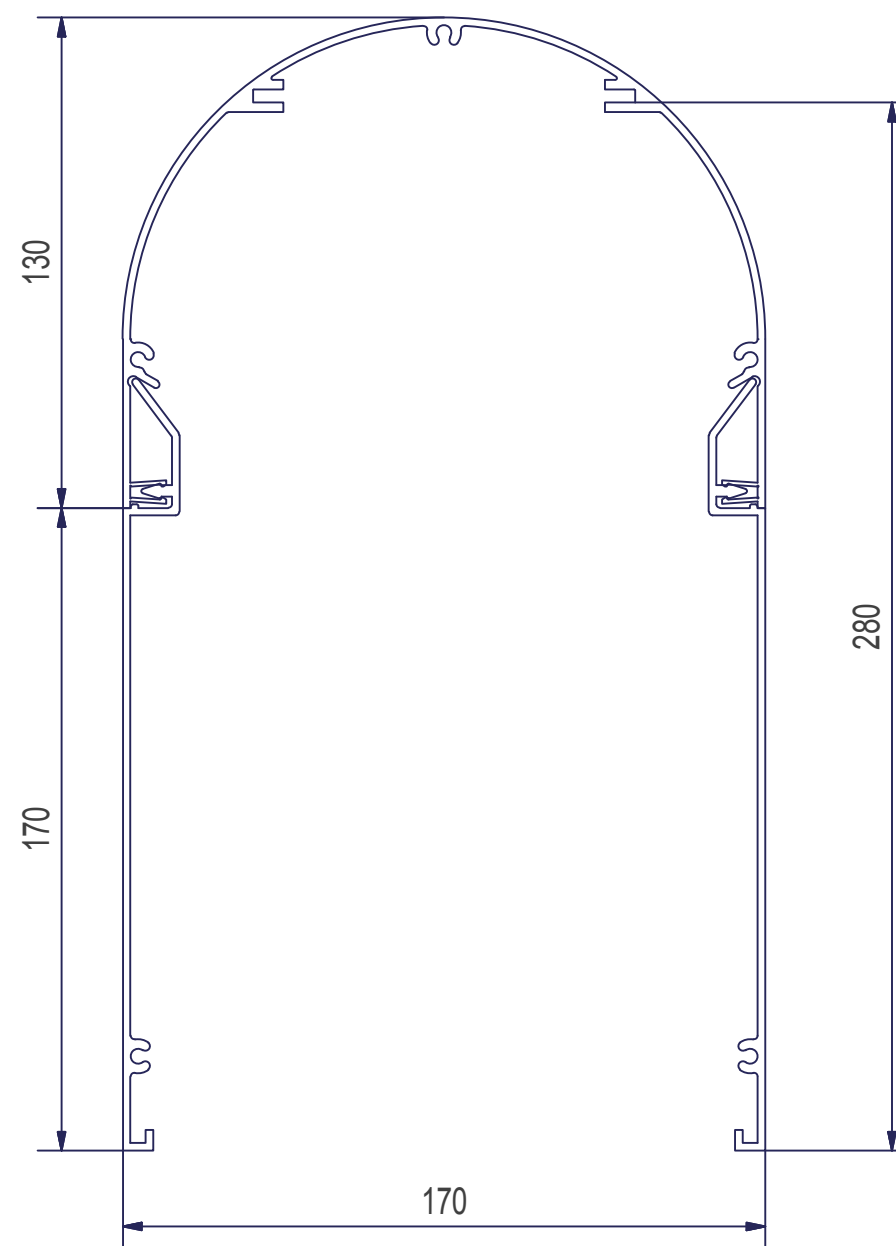


TYPES OF COVER SHEETS - 5th part for facade blinds

Cover sheet type 4 - for blinds with a packet height up to 220 mm



Cover sheet type 5 - for blinds with a packet height up to 280 mm



Covers for facade blinds are made of extruded aluminium and supplied including the sides. The length of a single-piece cover is max. 5,500 mm. If the covers are assembled from 2 or more parts, external connecting pieces are supplied.