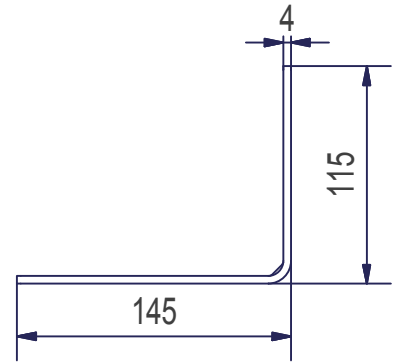
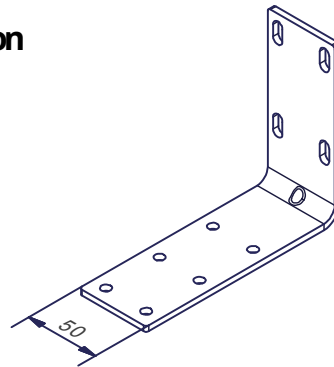
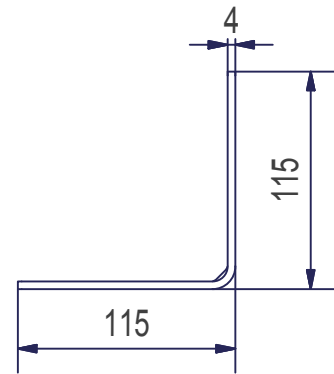
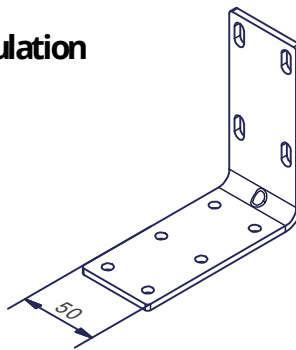


# TYPES OF HOLDERS FOR ISO-KASTL CASE AND SANDWICH PLATES / U-PROFILES

**ISO-KASTL case holder with insulation**

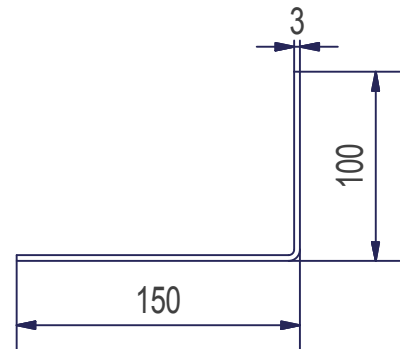
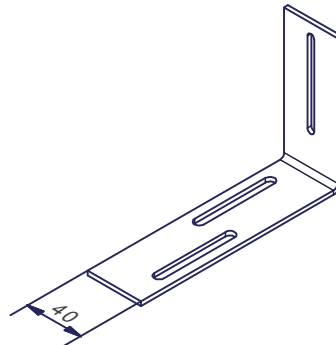


**ISO-KASTL case holder without insulation**



**U-profile holder for hidden rail (type Z) or for sandwich plates**

**U-profile holder 100 x 150 mm**



**U-profile holder 130 x 150 mm**

