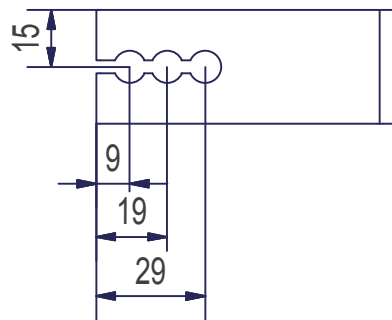
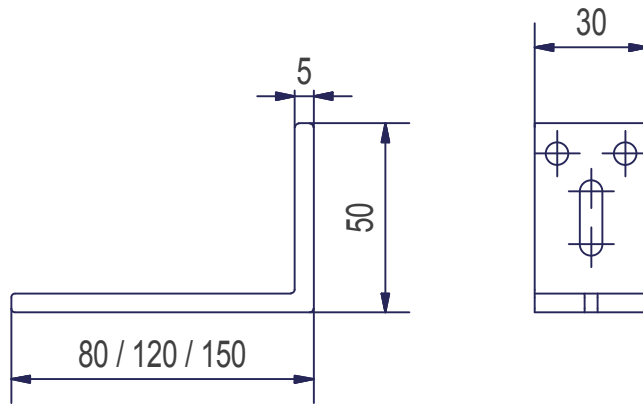


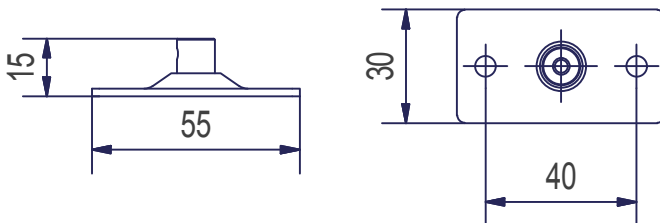
TYPES OF STRING HOLDERS

String holder

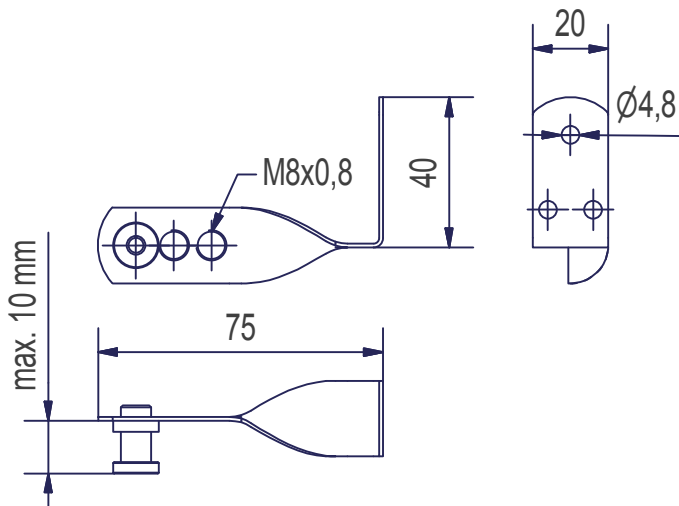
- Type LA - 80
- Type LB - 120
- Type LC - 150



String holder on parapet



String holder with tensioning screw for E-50 blinds



Basic string holder for E-50 blinds

