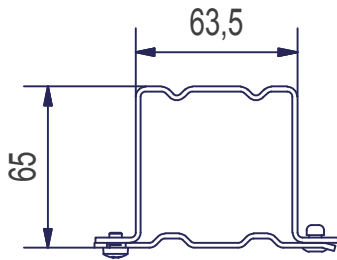


TYPES OF UPPER PROFILE HOLDERS

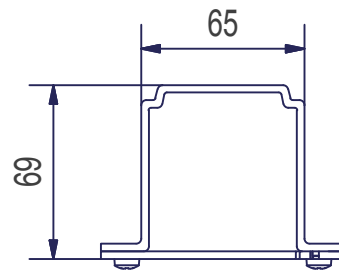
Holder no. 1

single holder (material: galvanized steel)



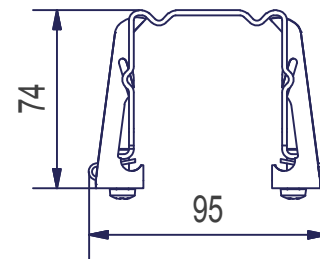
Holder no. 1 AL

single holder (material: aluminium)



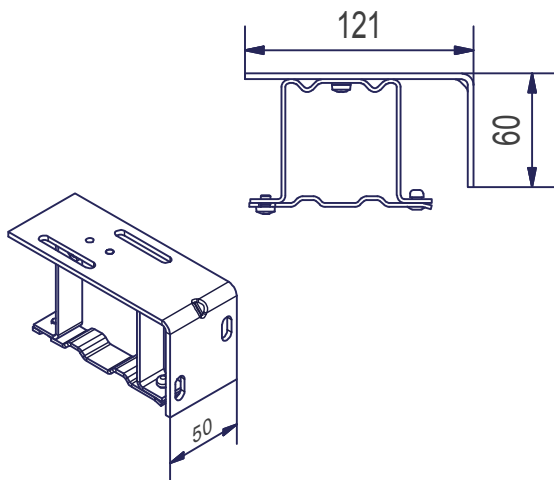
Holder R1

Used for mounting in prepared narrow shafts or limited spaces. Its advantage is quick mounting and possibility to use in case of a holder collision with bearing or motor.



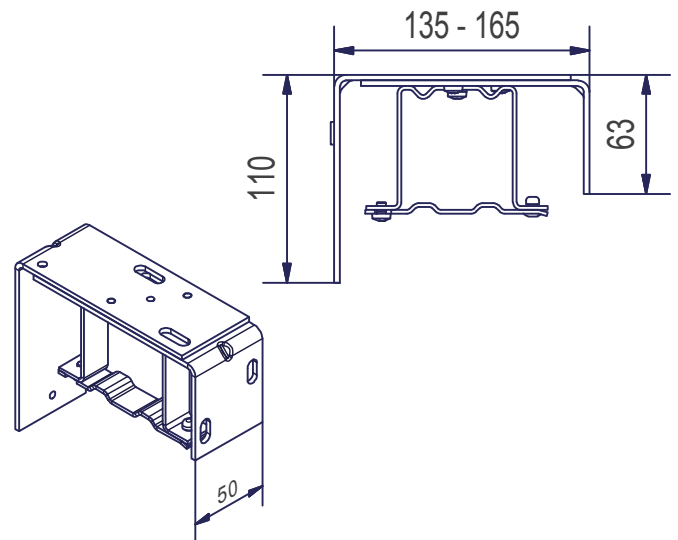
Holder no. 2

holder mounted on the wall



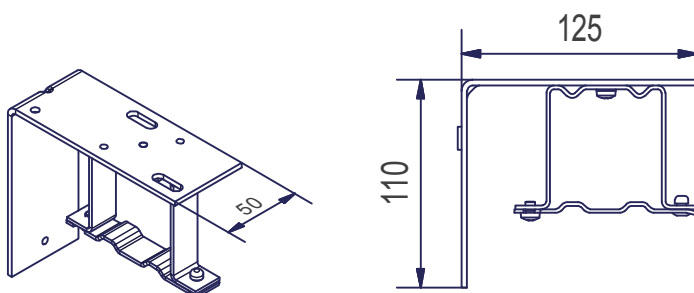
Holder no. 3

holder mounted on the wall using the cover sheet



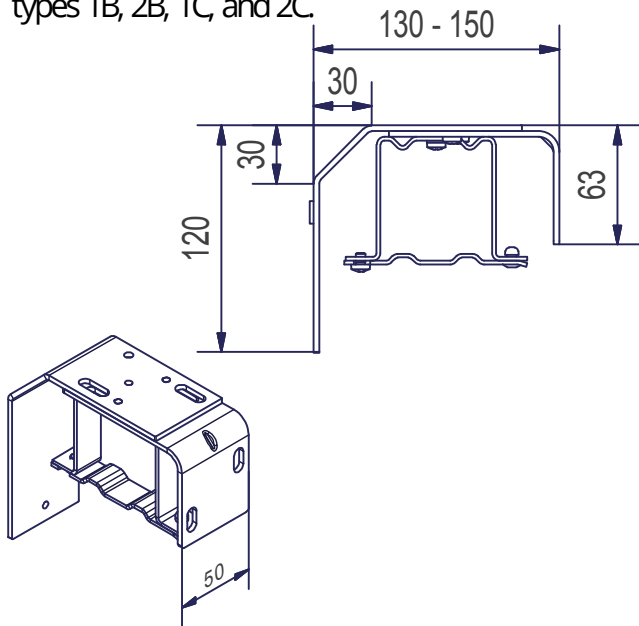
Holder no. 4

holder mounted to the ceiling using the cover sheet

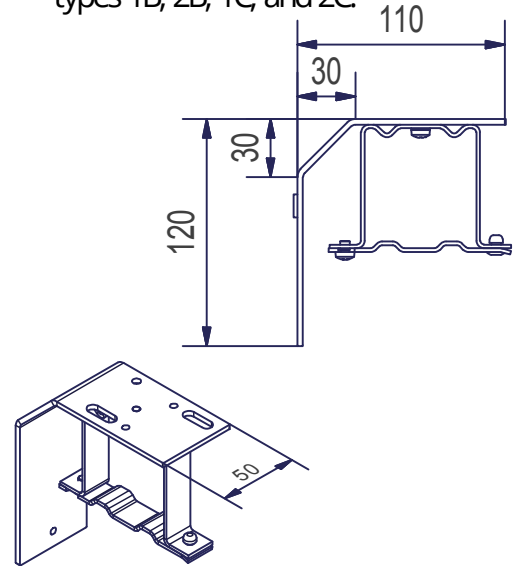


TYPES OF UPPER PROFILE HOLDERS

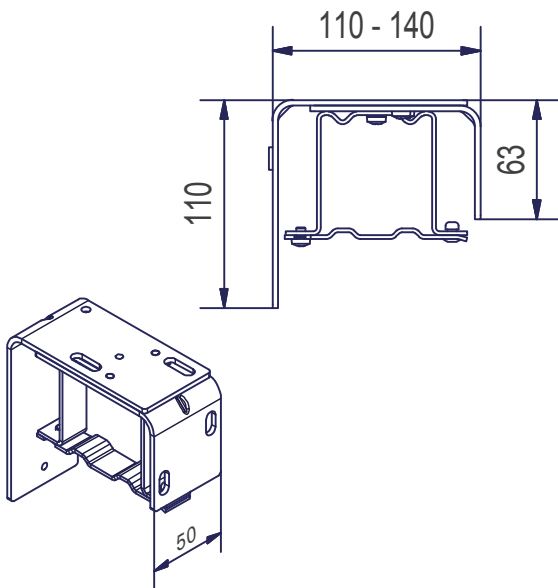
Holder no. 13 - holder mounted on the wall using the cover types 1B, 2B, 1C, and 2C.



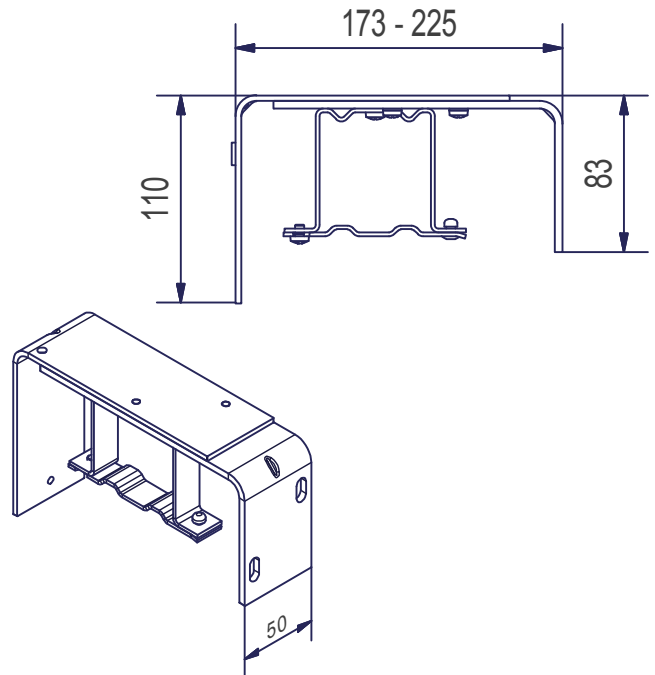
Holder no. 14 - holder mounted to the ceiling using the cover types 1B, 2B, 1C, and 2C.



Holder no. 23
holder mounted on the wall using the cover sheet

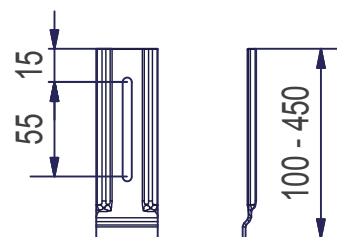


Holder no. 33
holder mounted on the wall using the cover sheet



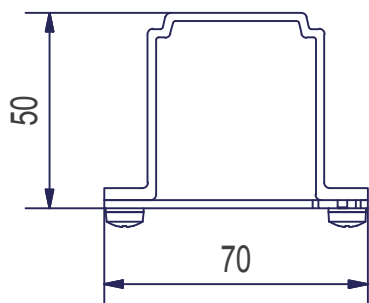
Types of extensions for holder no. 3, 4, 23, 33, 13 and 14

- a: 100 mm extensions for covers height 140 - 180 mm
- b: 150 mm extensions for covers height 190 - 230 mm
- c: 200 mm extensions for covers height 204 - 280 mm
- d: 250 mm extensions for covers height 290 - 330 mm
- e: 300 mm extensions for covers height 340 - 380 mm
- f: 350 mm extensions for covers height 390 - 430 mm
- g: 400 mm extensions for covers height 440 - 480 mm
- h: 450 mm extensions for covers height 490 - 530 mm

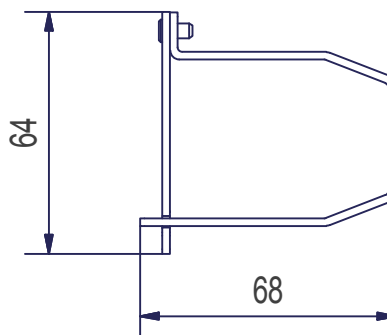


TYPES OF UPPER PROFILE HOLDERS FOR E-50 BLINDS

No. 1 - 50K Upper holder for E-50K
- ceiling installation (material: aluminium)



No. 2 - 50K Upper holder for E-50K
- wall installation (material: aluminium)



No. 3 - 50K Holder for the cover
- wall installation using the cover sheet

