

Product sheet

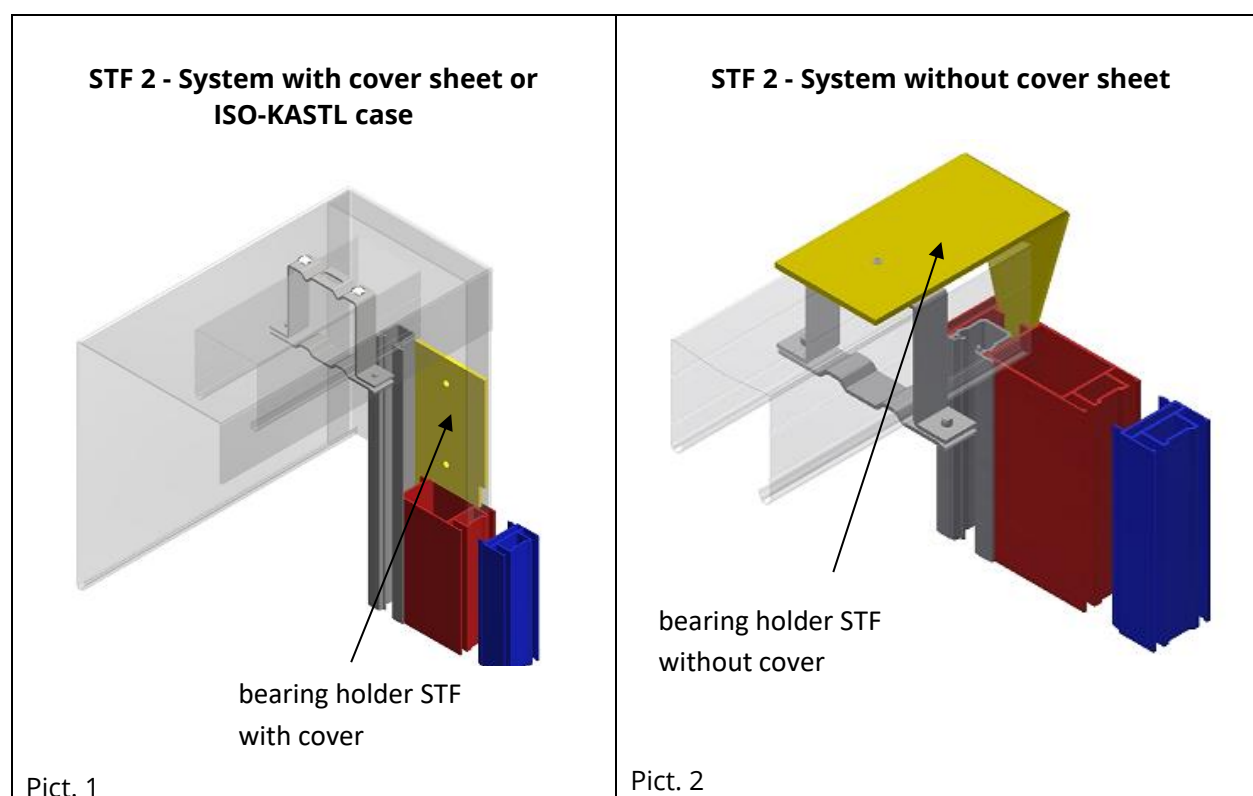
Product name: **Self-bearing system - STF 2**

Application: mounting onto window frame or wall using hidden guiding profile

Advantages:

- quick mounting with lower assembly costs
- manufacturing of blinds before finishing of facade based on given window diameters
- possibility of mounting blinds by window manufacturer
- system variability (mounting with or without cover sheet or using ISO-KASTL case)
- variable distance between window and blind due to distance profiles application

Self-bearing system STF 2 is intended only for blinds with guiding pins.



Technical parameters

for external blinds with self-bearing system STF 2:

width	60 - 230 cm	if width exceeds 230 cm, additional fixation between upper profile and ceiling/wall must be provided
height	max 350 cm	height of blind means distance between upper side of nr.1 upper profile holder and lower end of slats in closed position
operation	motor	
maximal total area	8 m ²	without additional fixation of upper profile
	12 m ²	with additional fixation of upper profile
guidance scheme	two separate self-bearing guiding rails for each blind	

Connecting several blinds by one motor as well as using any different guiding profile is not possible for this type of blinds.

Components:

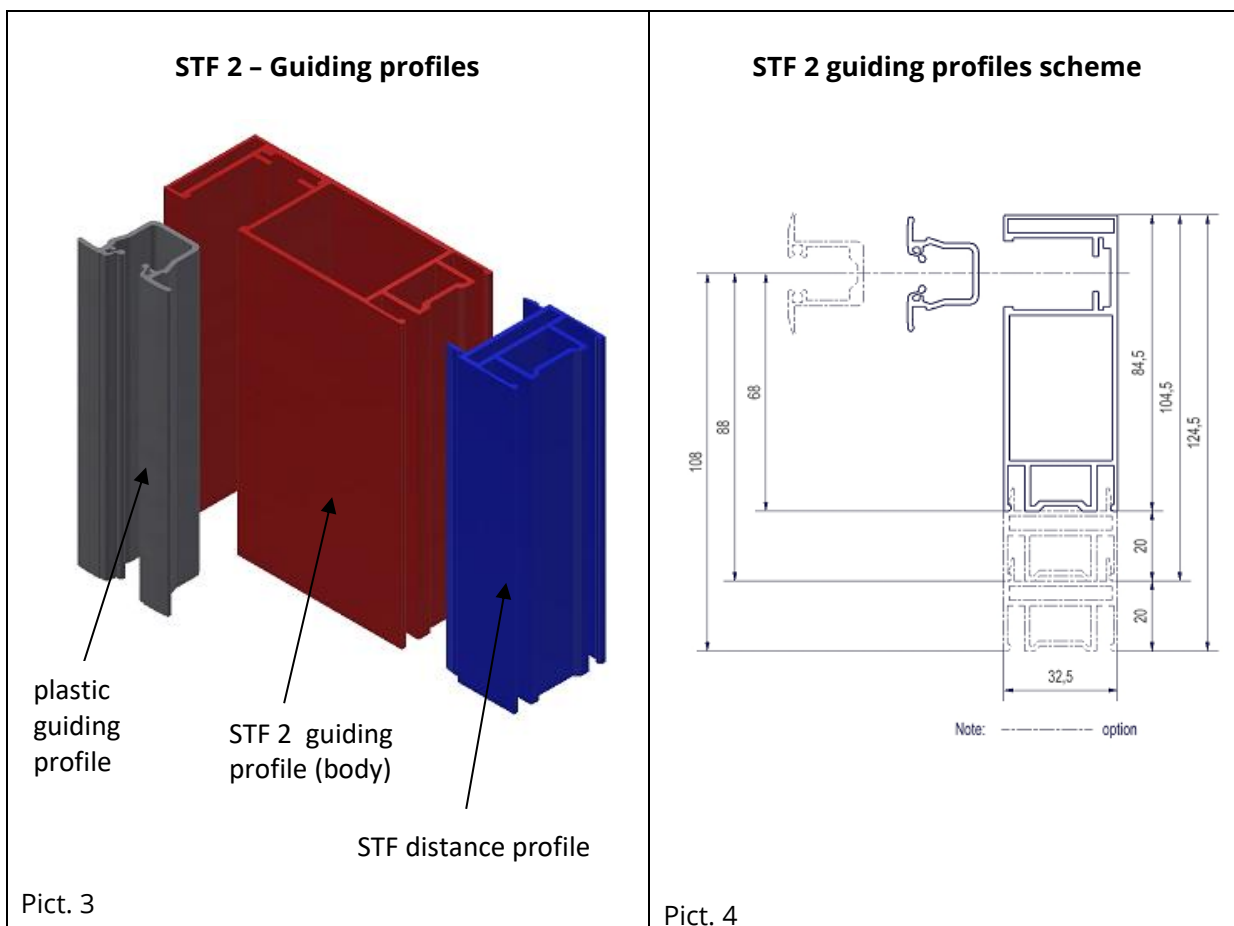
blind holders	holder nr. 1 is used as a standard option (R1 holders application is not recommended)
slats	aluminium plate rolled into C, Z, S or F shape with attached guiding pins, color according to NEVA color swatch (note : due to massive guiding profiles the slats are shorter by 76 mm compared to total blind width, ie. 38 mm from each side)
upper profile	by 80 mm shorter than the total width of blind material – zinc coated steel 56x58 mm or aluminium 57x58 mm
cover sheet	The cover is delivered including side profiles and STF system holders. Material thickness is 2 mm, RAL coated or anodized.
guiding profiles	see pg.3

STF 2 guiding profiles

- material: extruded RAL coated aluminium
- consist of two or more parts – see pict. 3:
 - o STF 2 guiding profile (body) - works as base of self-bearing system STF 2
 - o STF distance profile – delivered only on demand, used to extend the distance between window and guiding rail from standard 68 mm. Up to 2 distance profiles may be used in one set.
 - o plastic guiding profile - color - grey, material – hardened PVC. The plastic guiding profile may be replaced by RAL coated hidden aluminium guiding profile with built-in plastic guiding.

When ordering guiding profile along with distance profile, both profiles are delivered assembled including pre-drilled holes for mounting of profiles onto window frame.

Bottom of all guiding profiles may be cut in 4 degree angle.



Measuring:

Order width of blind = total width of product including STF 2 guiding profiles.

Height of blind – measuring method depends on type of STF 2 system (with or without cover sheet, with ISO-KASTL case) – see pg.4-7.

STF 2 system types:

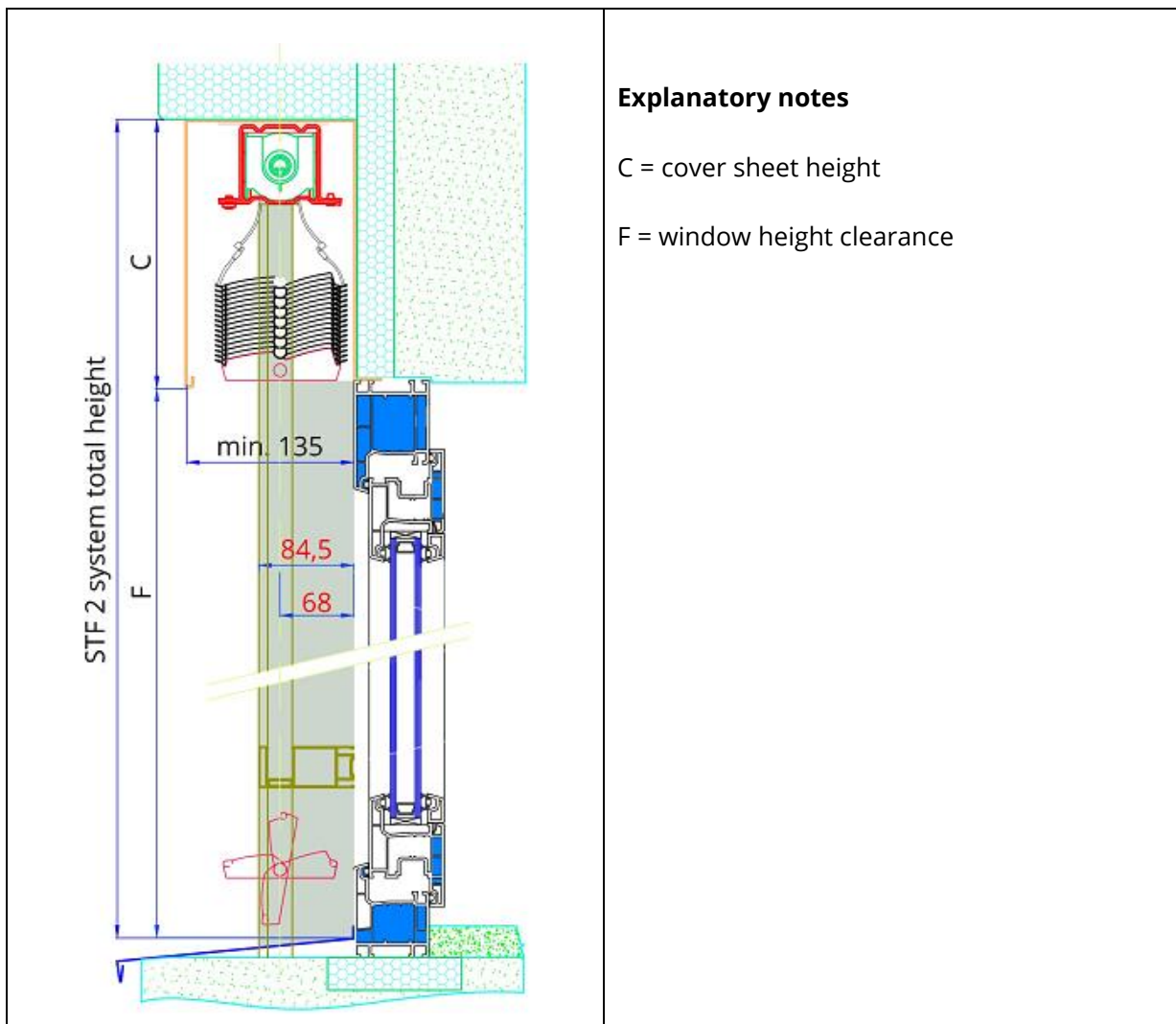
1. with cover sheet

Blind height must be measured and specified in order in following way:

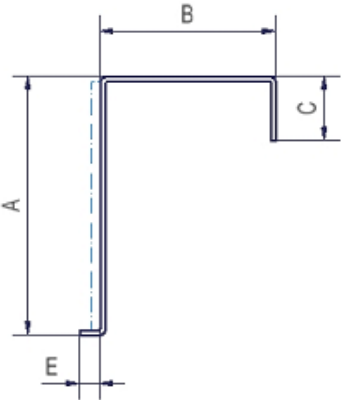
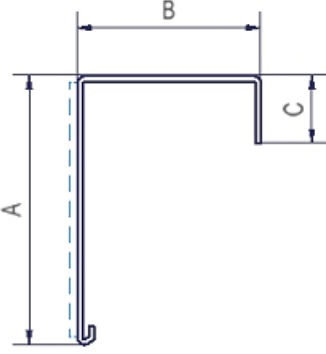
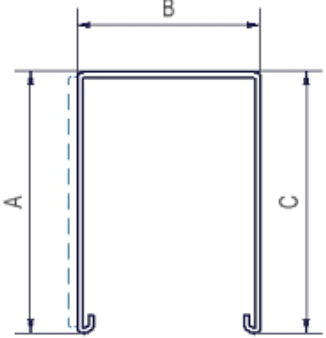
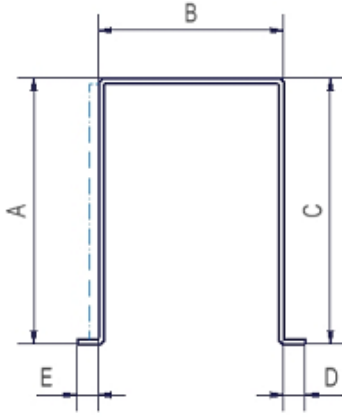
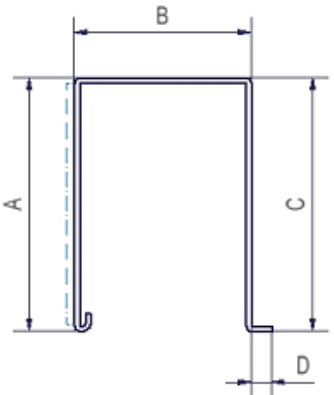
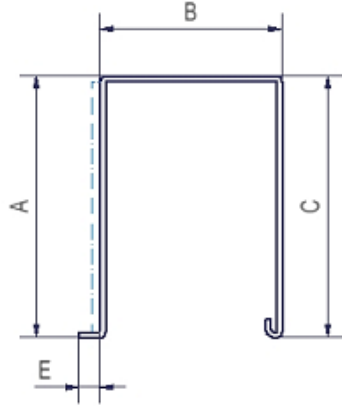
diameter „C” – height of the cover sheet

diameter „F”- height clearance of the window

STF 2 system with cover – sectional view:



Cover sheets compatible with STF 2 system

<p style="text-align: center;">Cover F11</p> 	<p style="text-align: center;">Cover F21</p> 
<p style="text-align: center;">Cover F30</p>  <p style="text-align: center;">B = min 149 mm</p>	<p style="text-align: center;">Cover F31</p> 
<p style="text-align: center;">Cover F32</p> 	<p style="text-align: center;">Cover F33</p> 
<p>Recommended diameters: A = packet height B = min. 139 mm (except for F30) C = min. 50 mm D, E = min. 20 mm length of cover = width of blind</p>	<p>Cover sheet thickness: 2 mm</p> <p>Cover sheets are delivered including side profiles.</p>

2. with under-facade ISO-KASTL case

Order width of blind = total width of product including STF 2 guiding profiles

Order width of **ISO-KASTL case** = **width of blind including STF 2 profiles + 26 mm** (13 mm overlap on each side).

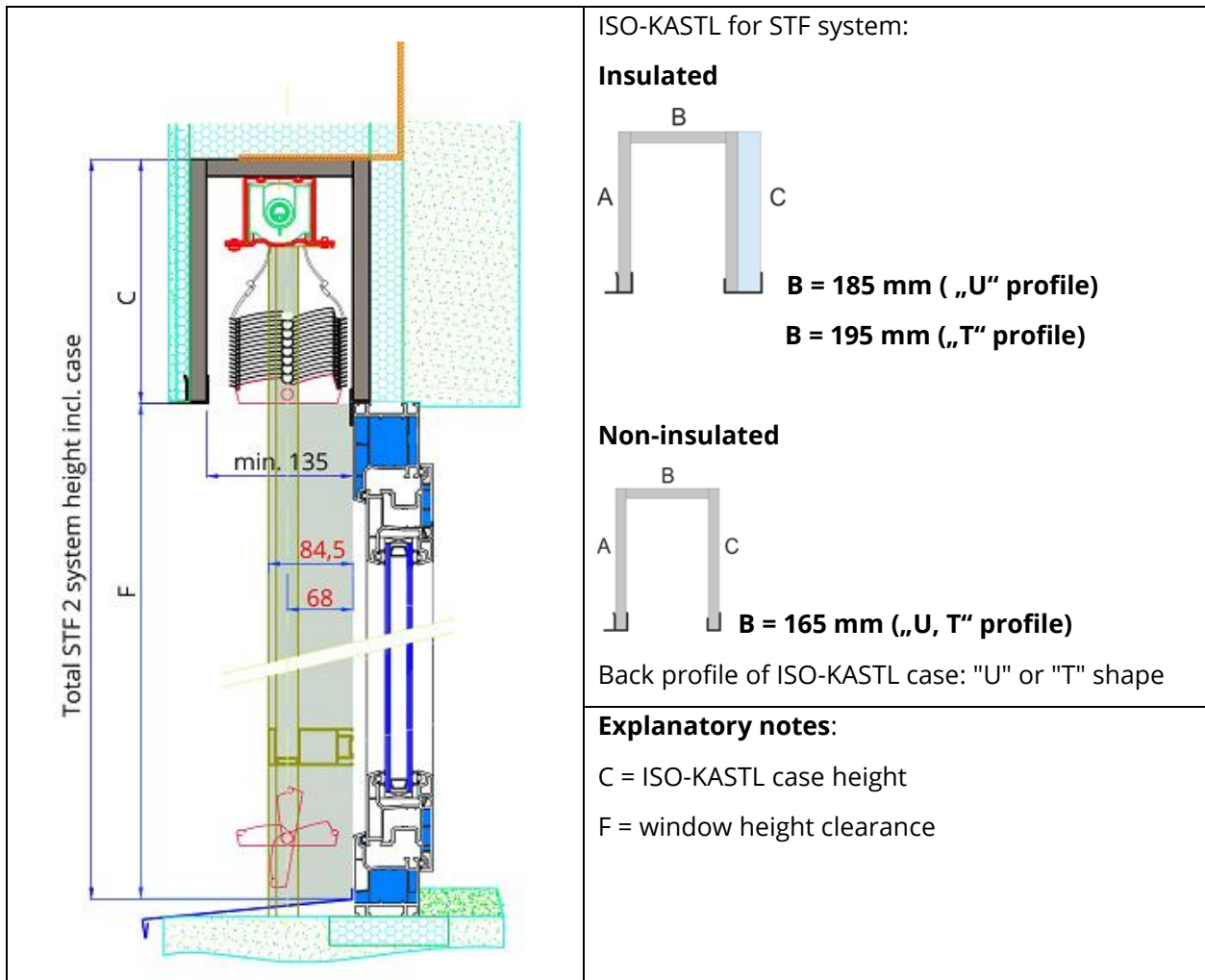
Height of blind - blind height must be measured and specified in order in following way:

diameter „C” – total height of ISO-KASTL case (incl. cover material thickness, ie. 15 mm)

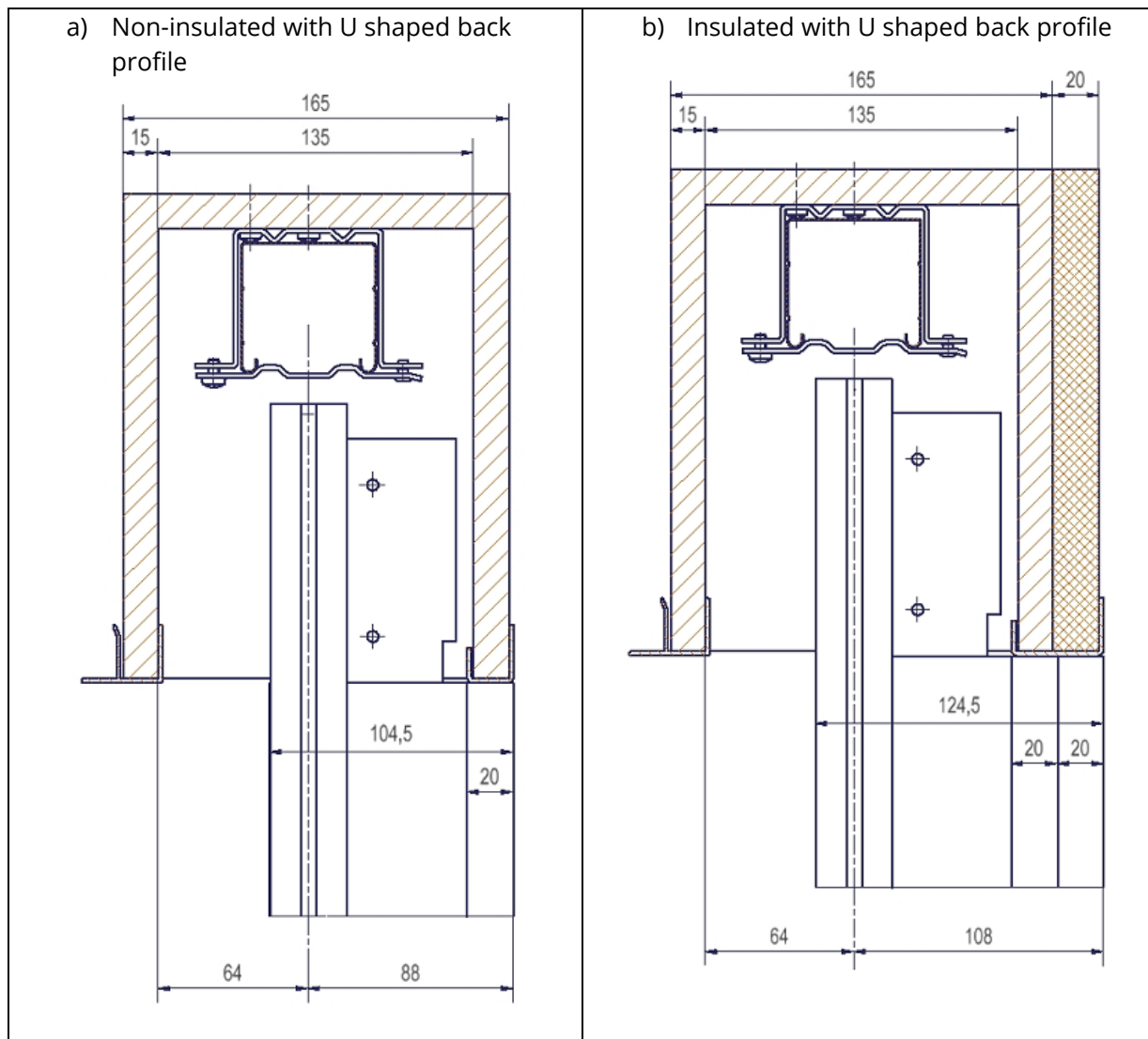
diameter „F” – head clearance of the window

STF 2 system combined with ISO-KASTL case is not intended as self-bearing, therefore the under-facade ISO-KASTL case must be fixed to the construction independently!

STF 2 system with ISO-KASTL case – sectional view:



STF 2 system with ISO-KASTL case options:



3. without cover sheet

Order width of blind = total width of product including STF 2 guiding profiles.

Height of blind - blind height must be measured and specified in order in following way:
 diameter „D” - total height of STF 2 system = order height

STF 2 system without cover sheet – sectional view:

