



Phone: +420 588 003 550

ORDER No. _____
FOR COVERING SHEETS

ŽALUZIE NEVA s.r.o.

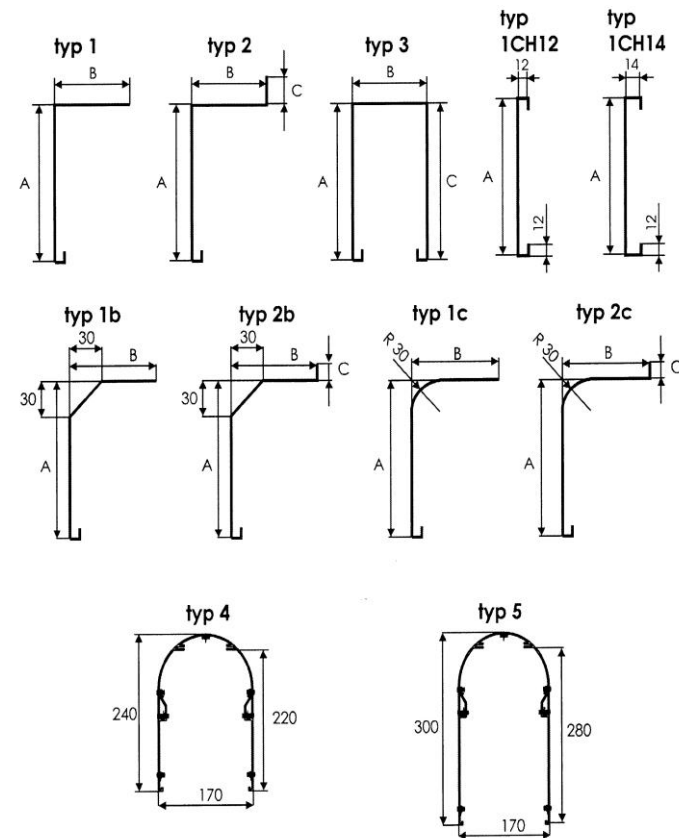
www.nevapv.cz

Háj 370, 798 12 Kralice na Hané, Czech Republic

Name and address

Phone: _____

Types of covering sheets



!!! All dimensions always from inside in mm !!!

Pos.	Quantity (pcs)	Type of cover. sheet	Height of cov. sheet (Diameter A)	Diameter B (mm)	Diameter C* (mm)	Length of cov. sheet (mm)	Colour (RAL or ELOX)	Sides of cov. sheets (pcs)	
								right	left

Standard thickness of covering sheets is 1,5 mm
available also covering sheets with thickness 2 mm