

NEVA®

ISO-KASTL

case under the plaster
for external blinds



SANDWICH PLATES

for hidden side rails
of external blinds



ISO-KASTL - case under the plaster for external blinds

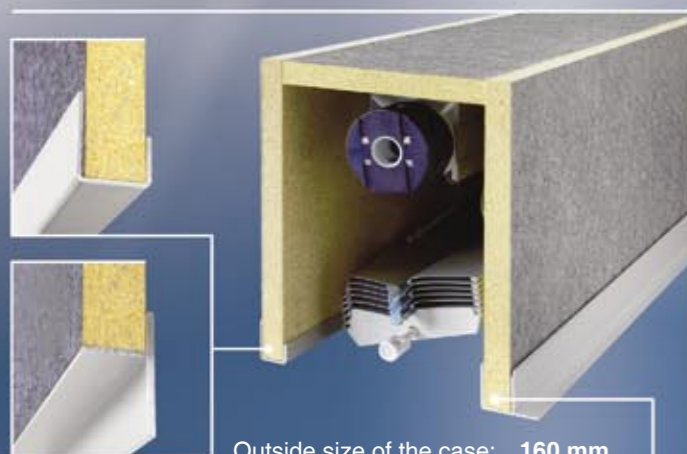
ISO-KASTL - the case under the facade is a highly variable insulation element used for the mounting of external blinds above the window. It has been designed to avoid the creation of thermic bridges and to be easily and quickly installed into a building including low-energetic houses.

Advantages of ISO-KASTL case:

- high level of thermic and noise insulation
- very good adhesion to building materials
- 100% water resistant
- standardized inner size suitable for any type of external blind made by ŽALUZIE NEVA s.r.o.
- easy manipulation - low weight
- can be used together with sandwich plates (see below)

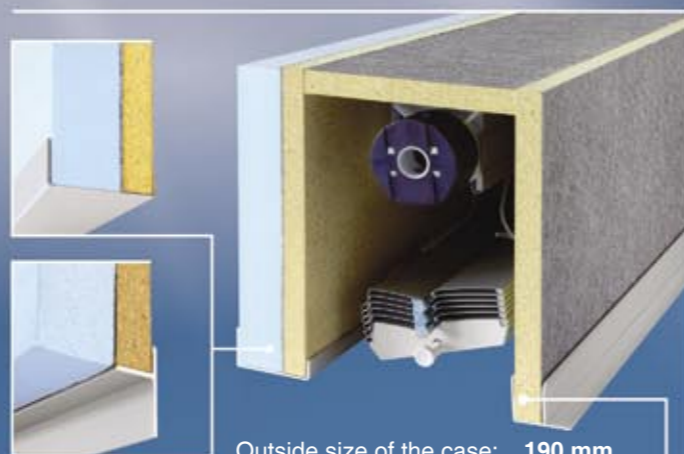
Types of under facade cases for external blinds:

Case without insulation



Outside size of the case: 160 mm
 Inside size of the case: 130 mm
 Thickness of case plate: 15 mm

Case with insulation



Outside size of the case: 190 mm (including 30 mm outside insulation)
 Inside size of the case: 130 mm

Size to be mentioned in the order = outside size of the case

Recommended length of the case max. 3 m in one piece.

Description of the product:

The case is produced of PURENIT® - pressed plates 15 mm, it consists of 3 circuit plates, 2 side caps and an aluminium end and mounting profile. **The surface is coated with UV-resistant fleece.** The plates are glued and pinned to each other to be stable and compact.

The thickness of insulation by insulated case: 30 mm

The inside measure of the case is 130 mm which is enough for any type of external blind made by ŽALUZIE NEVA s.r.o..

There is an aluminium **end profile at the front part of the case** which helps to reach the sufficient strength and stability of the front side of the case. The L-shaped aluminium profile is screwed to the inner side of the case. **The back side of the case is firmed or covered by an aluminium mounting profile.**

The bottom and side visible parts should be painted up to the minimum height 180 mm with the same paint as the facade to reach a unified appearance of the house.



IDEAL SOLUTION FOR INSULATED FACADE

STANDARD MEASURES OF ISO-KASTL CASES width of plates is 15 mm, the inner measure is smaller

Case without insulation			Case with insulation			Case without insulation	Case with insulation
Measures			Measures			Measures	
A (mm)	B (mm)	C (mm)	A (mm)	B (mm)	C (mm)	A	C
125	160	125	125	190	125		
165	160	165	165	190	165		
175	160	175	175	190	175		
205	160	205	205	190	205		
245	160	245	245	190	245		
265	160	265	265	190	265		
295	160	295	295	190	295		
325	160	325	325	190	325		

The mounting of cases is very variable

The ISO-KASTL cases are fixed directly on the wall above the window using the seat angles that are fixed overhead to the case about 200 mm from each side of the case. The distance between them should not exceed 990 mm. It is recommended to fix also the bottom part of the case to the wall to reach better stability of the case.

If possible, cases can also be mounted to the window lintel or to the brickwork. In case of a different mounting to the building it is necessary to fix the case to the middle part of the overhead plate (in the axis of the blind weight) and its bottom edges to cover by a suitable profile.

Ask our technicians about other ways of mounting.

It is recommended to cover twice the junction area between facade and case by screen and plaster.

MERINIT® Sandwichplates for hidden side rails

EASY SOLUTION - PERFECT RESULT

MERINIT® Thermoinsulating sandwich plates can be combined with the ISO-KASTL case. Thus you will get a high-quality insulating system and an excellent appearance.

Ready-made plates are just to be fixed into the dado. External blinds and guiding rails are mounted after painting the facade.

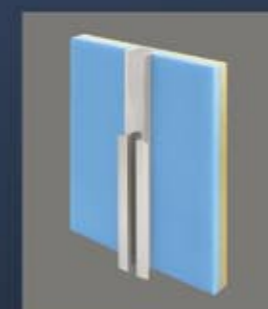
- the best thermic, technical and visual solution for blinds in an insulated facade
- easy and quick mounting of hidden rails in the insulated dado
- made-to-order
- variable position of the guiding rail in the plate

Description of the product:

Thickness of thermoinsulating sandwich plate: 26 mm (32 mm including the aluminium mounting profile)

Width of plate: 0 - 280 mm

Maximum length of plate: 4 m



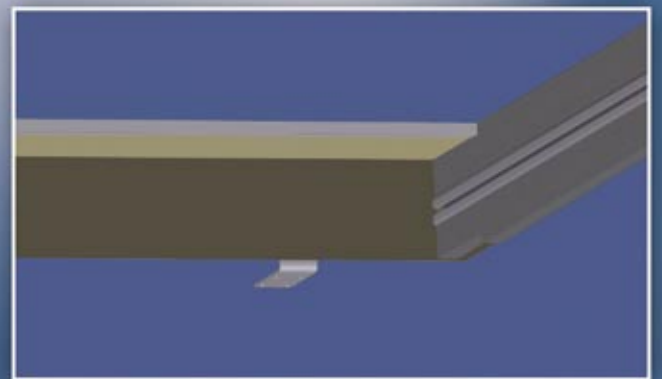
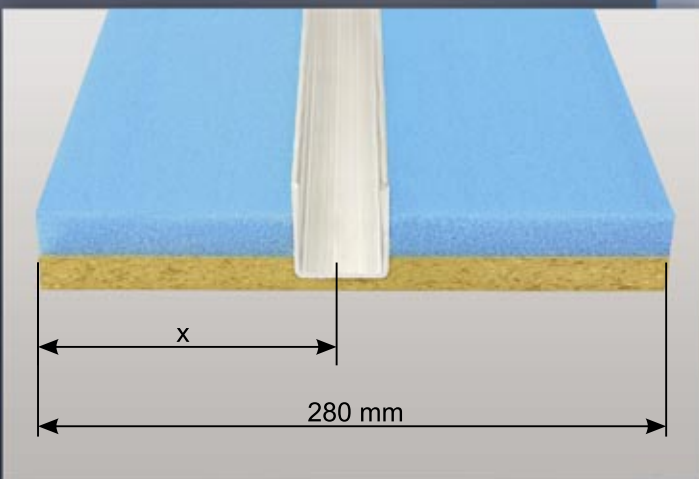
**Detail of dado
with sandwich plate**



**Detail of dado
with sandwich plate
and hidden rail**



**Detail of dado
with external blind**

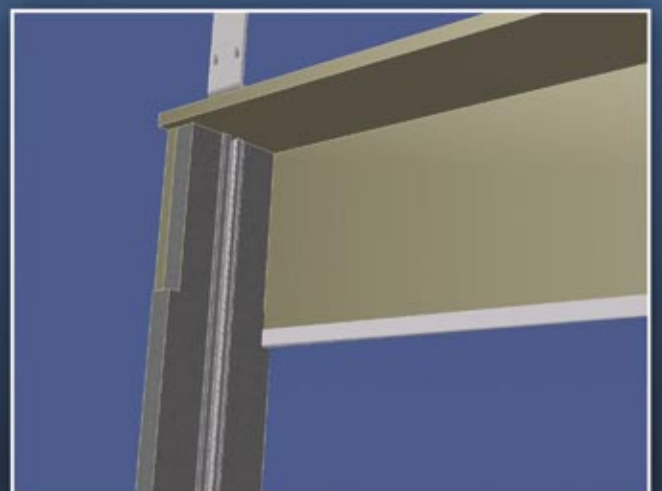


Detail - connection of ISO-KASTL case and the sandwich plate (seen from the bottom)

In the order, specify the length of the plate and the axis of rail - the distance from the edge of the plate (measured from the window).

The cases for external blinds and sandwich plates are usually delivered to the construction site separately several weeks before the delivery of external blinds. Therefore it is useful to produce cases wider than the estimated width of external blinds. By sandwich plates take into consideration the inclination for parapet.

The rail for the guiding profile must lead to the parapet to avoid the in-leak of water into the facade.



Detail - connection of ISO-KASTL case and the sandwich plate (seen from the back)